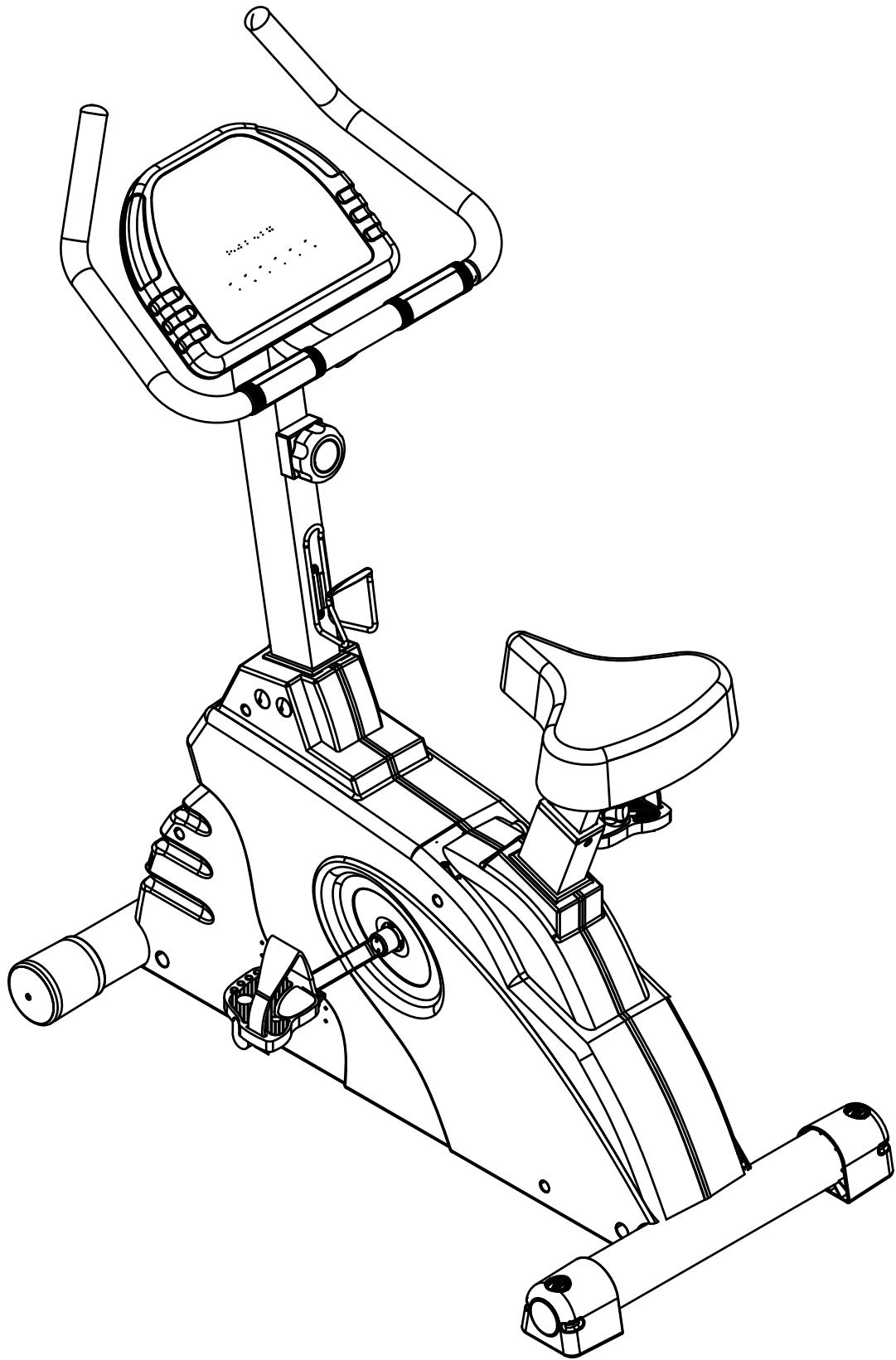
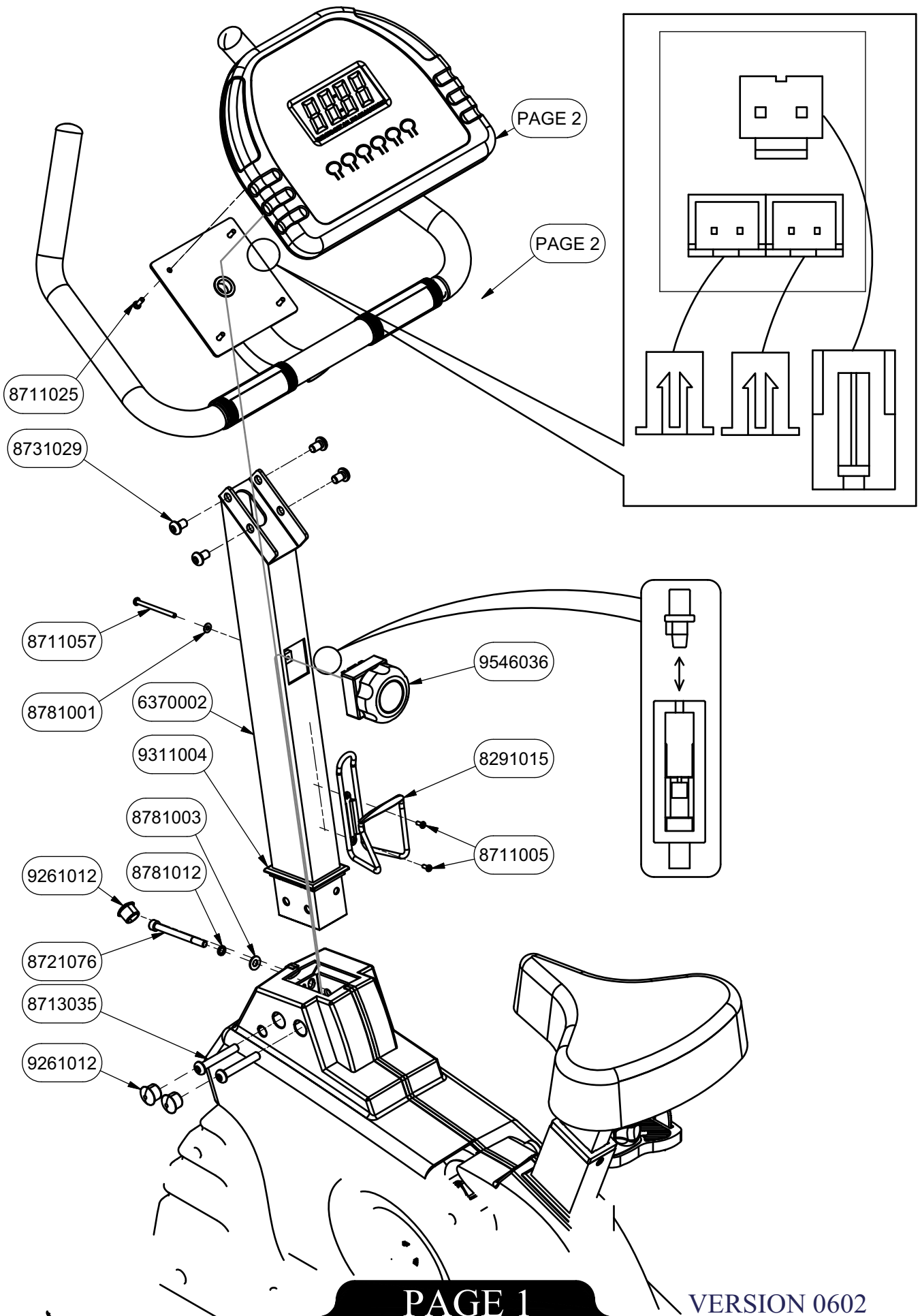


ENDURANCE B2U SERVICE MANUAL

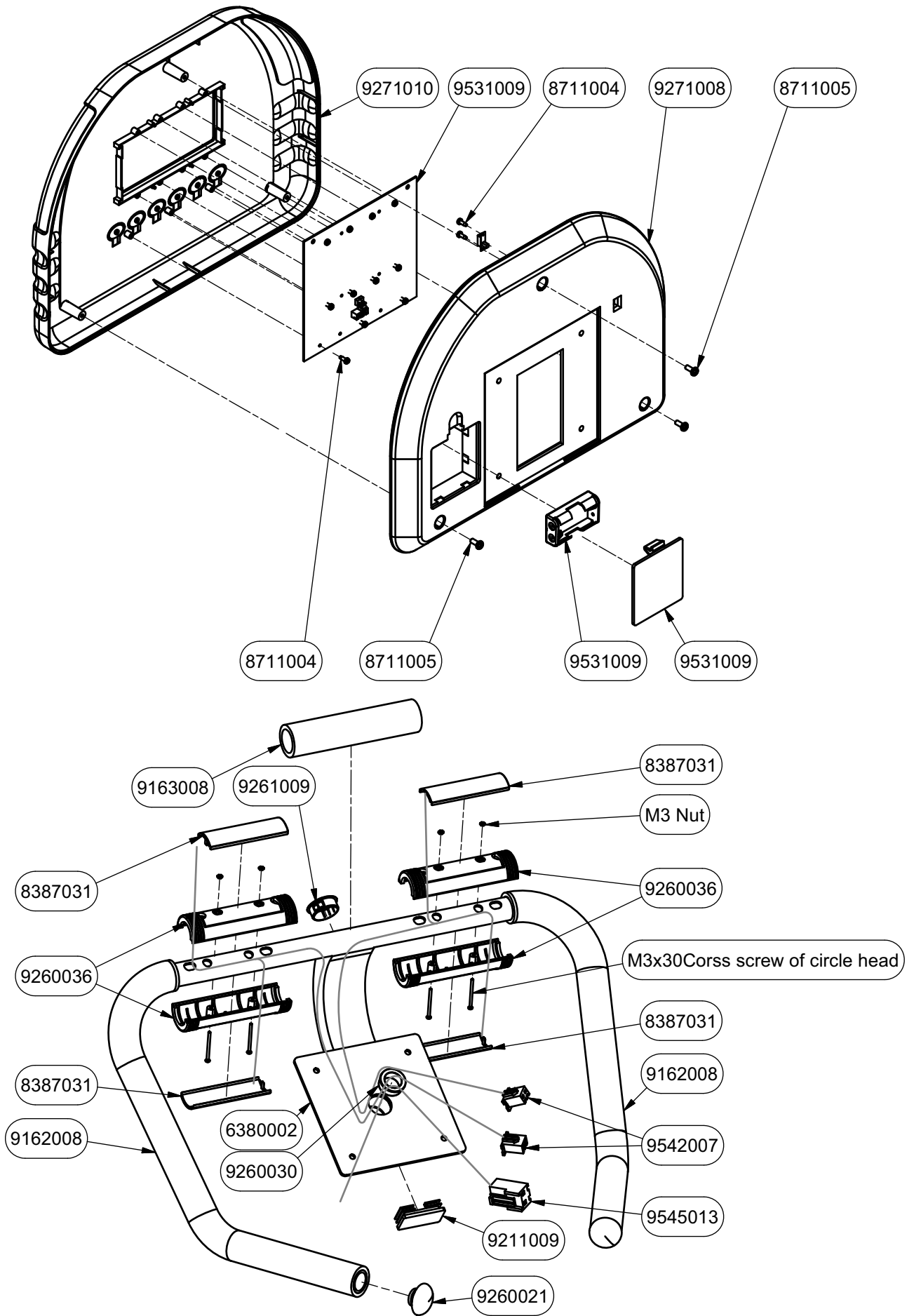


VERSION 0602

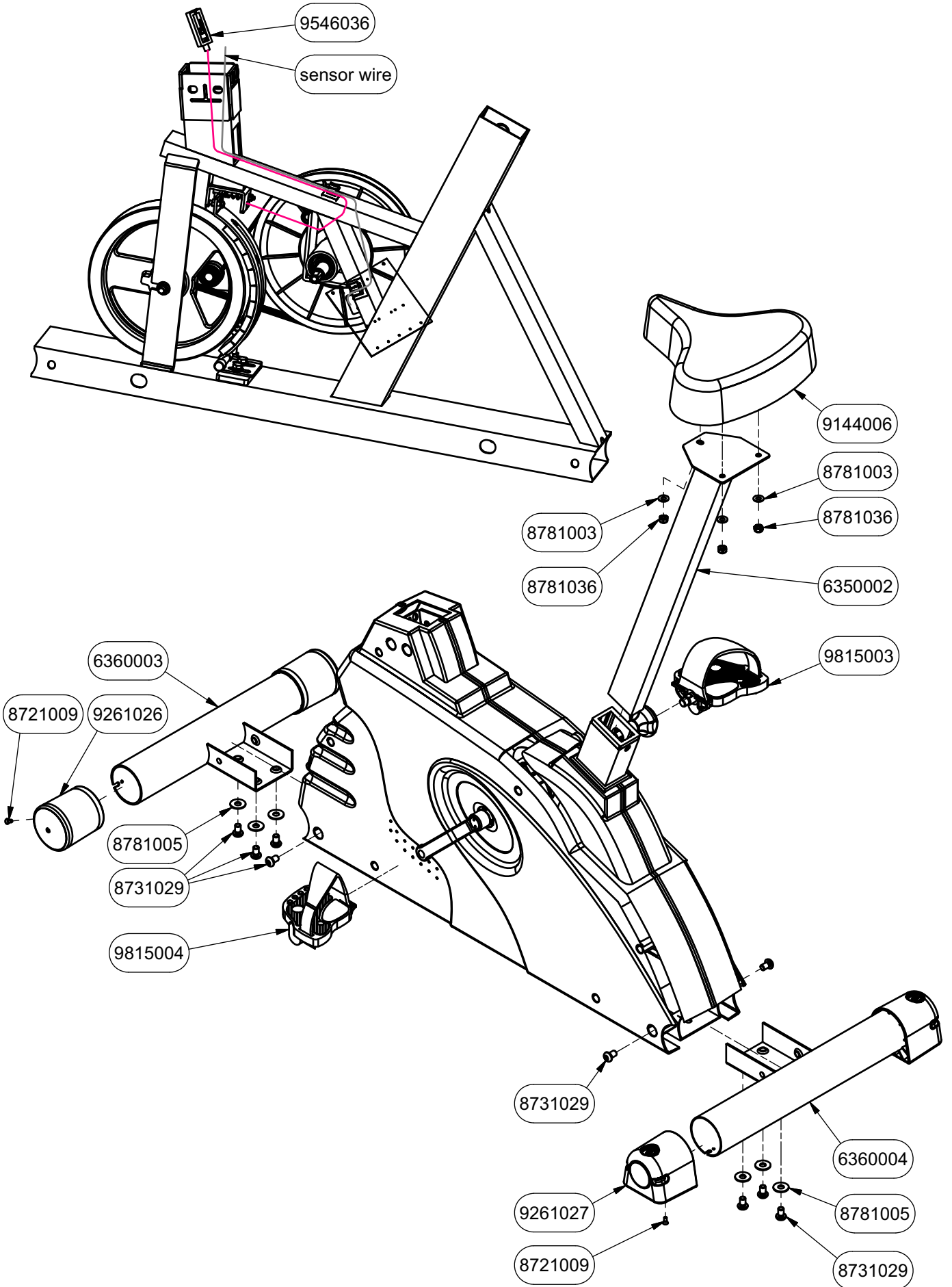
ENDURANCE B2U SERVICE MANUAL



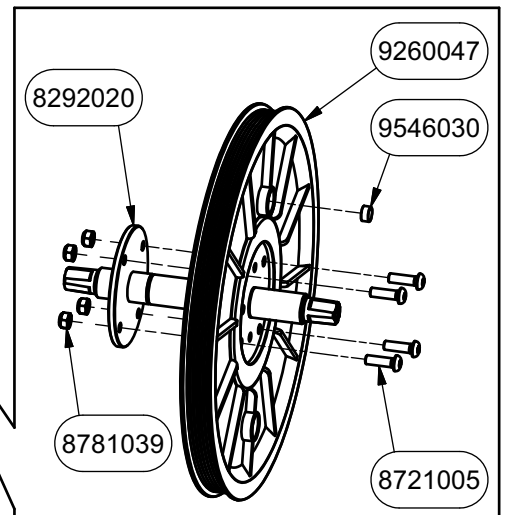
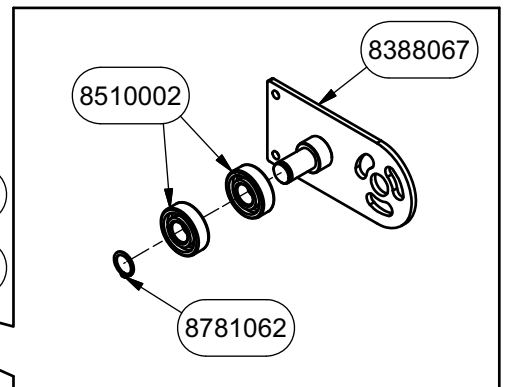
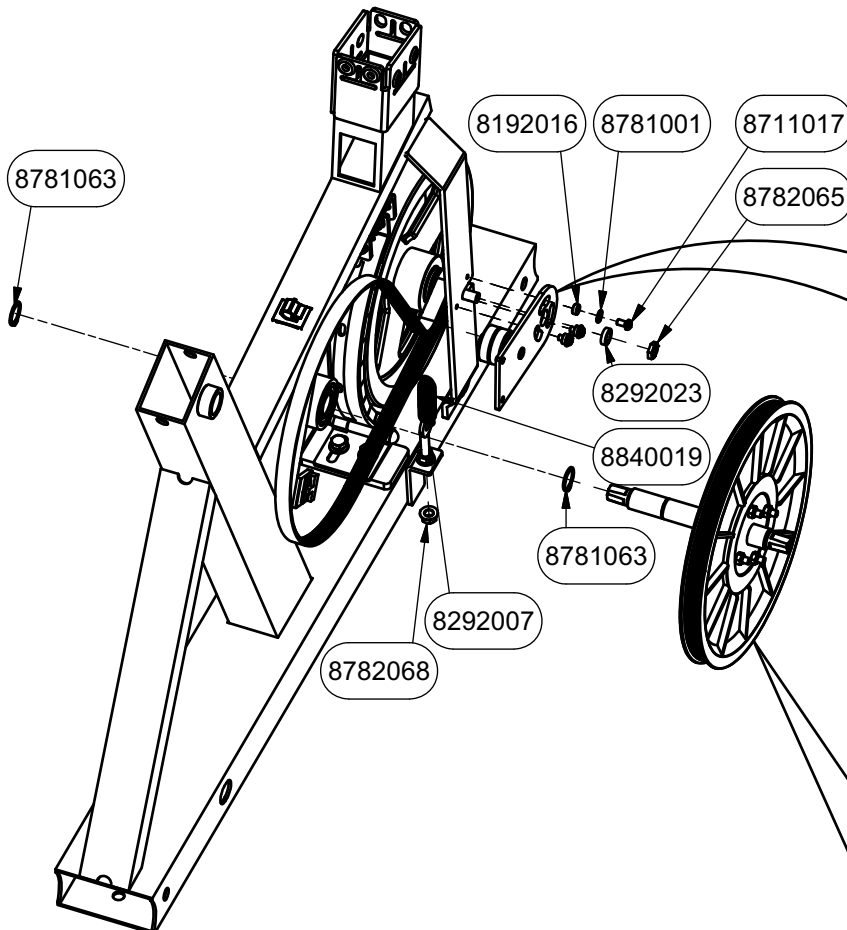
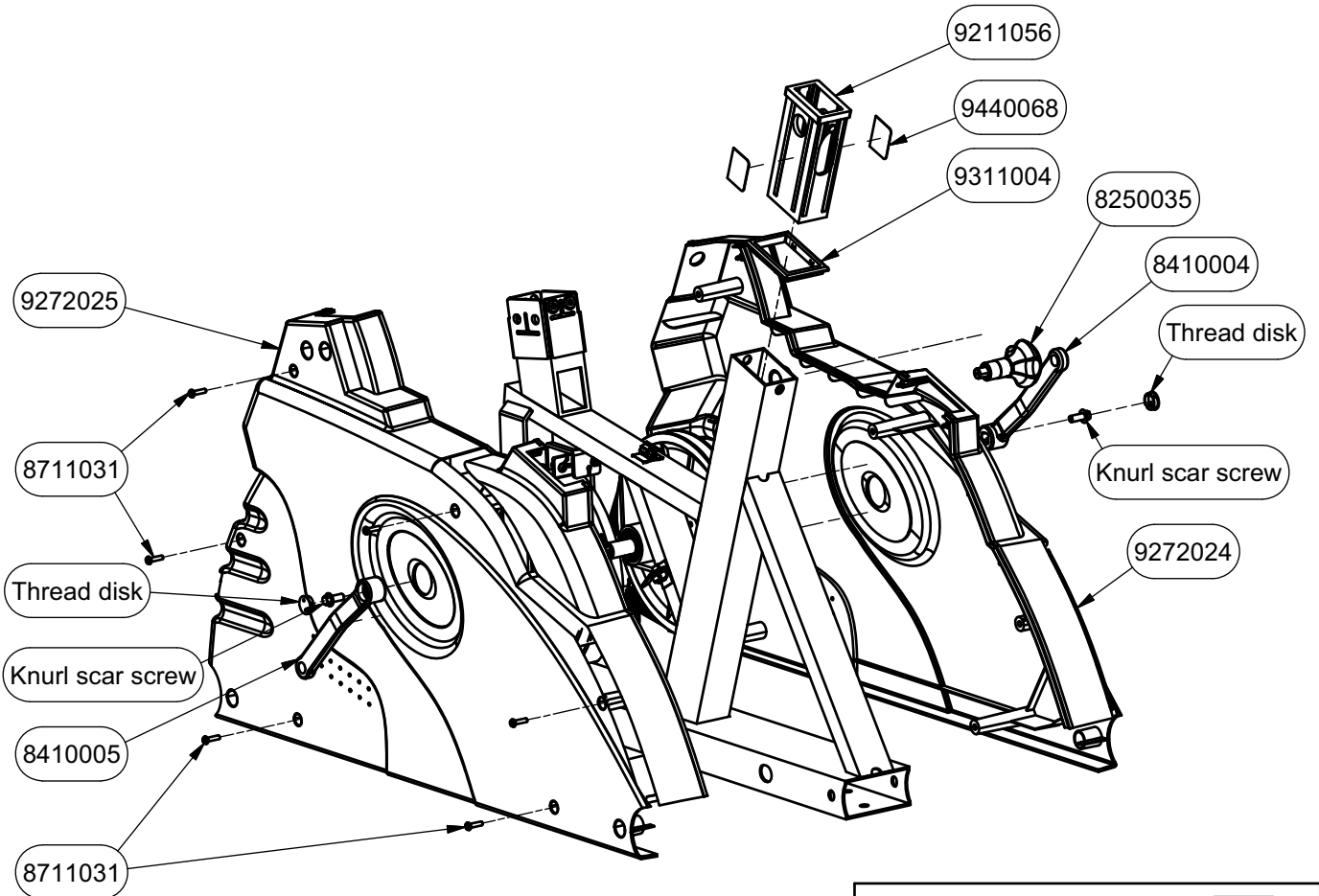
ENDURANCE B2U SERVICE MANUAL



ENDURANCE B2U SERVICE MANUAL



ENDURANCE B2U SERVICE MANUAL



ENDURANCE B2U SERVICE MANUAL

