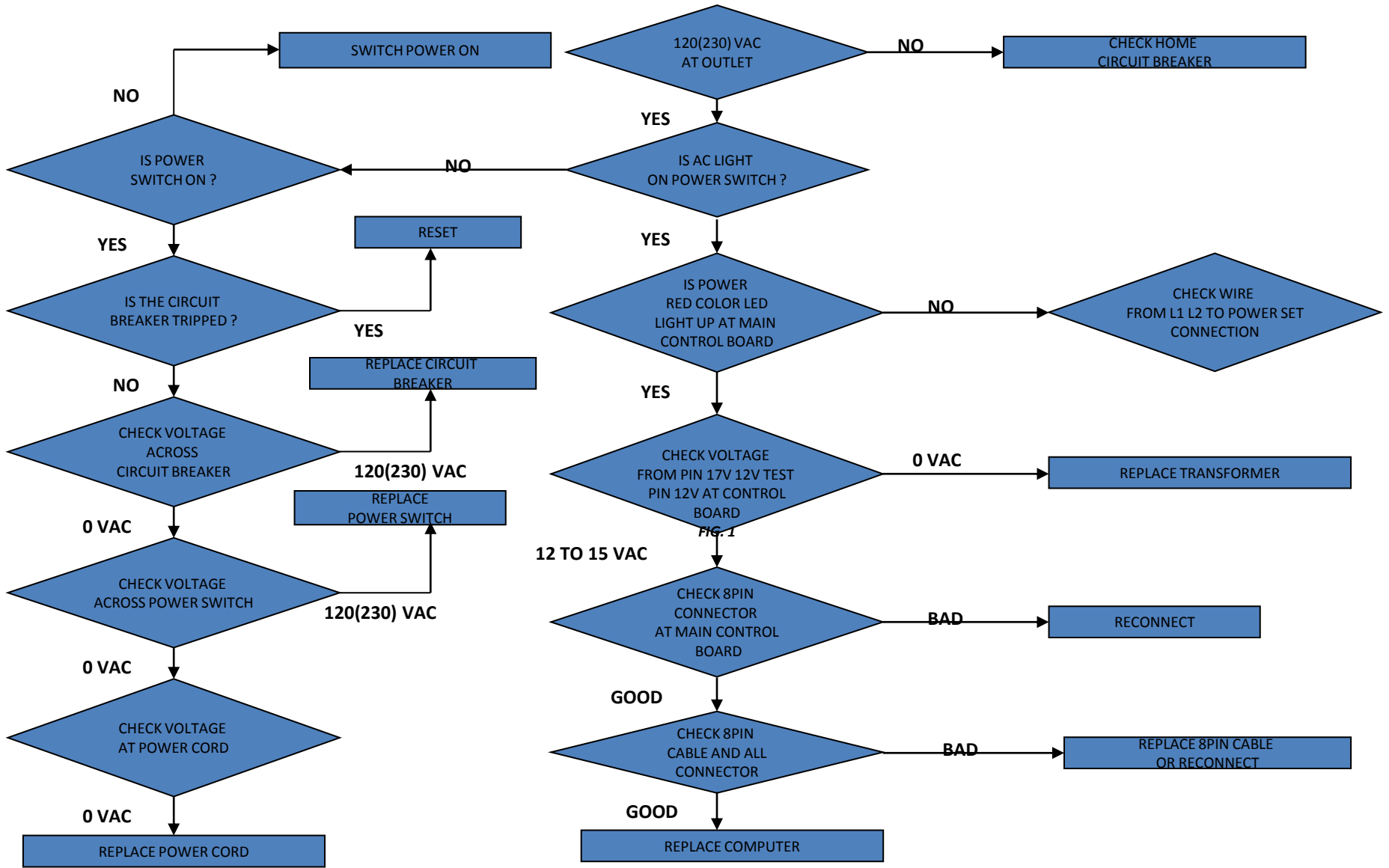


NO DISPLAY REPAIR-1



NO DISPLAY REPAIR-2

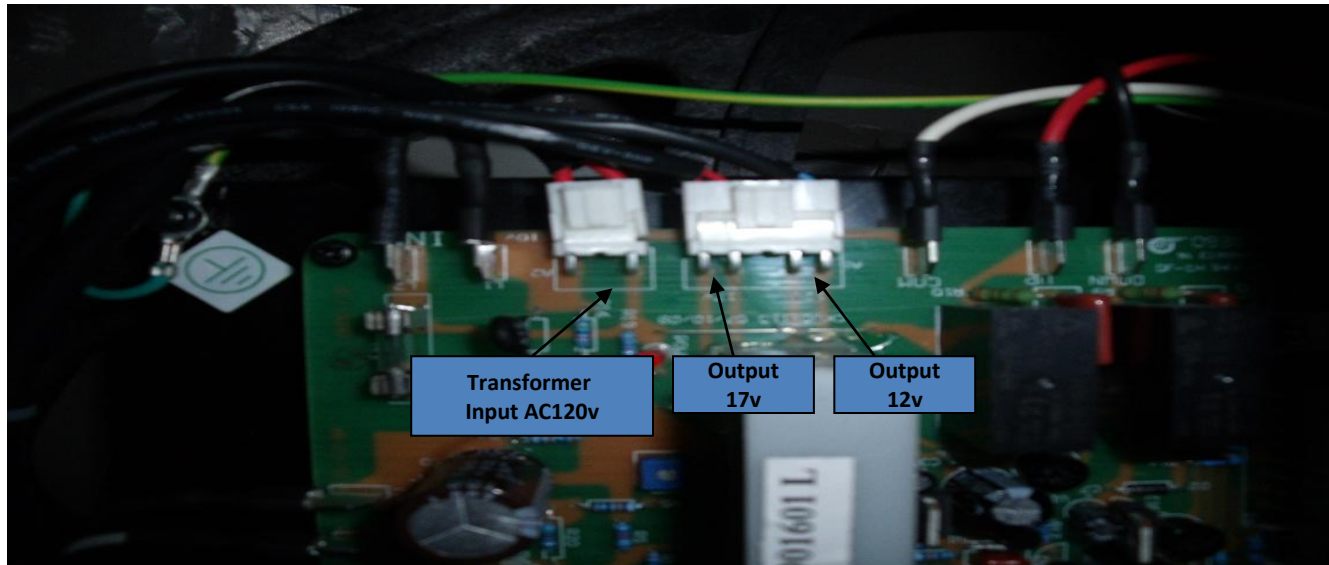


FIG. 1: Keep transformer both plugs at low control board, then use meter to test AC17v and AC12v Output, both voltage value should over, in AC17 should get AC17-19v, and in AC 12v should get 12-15v Is normally.