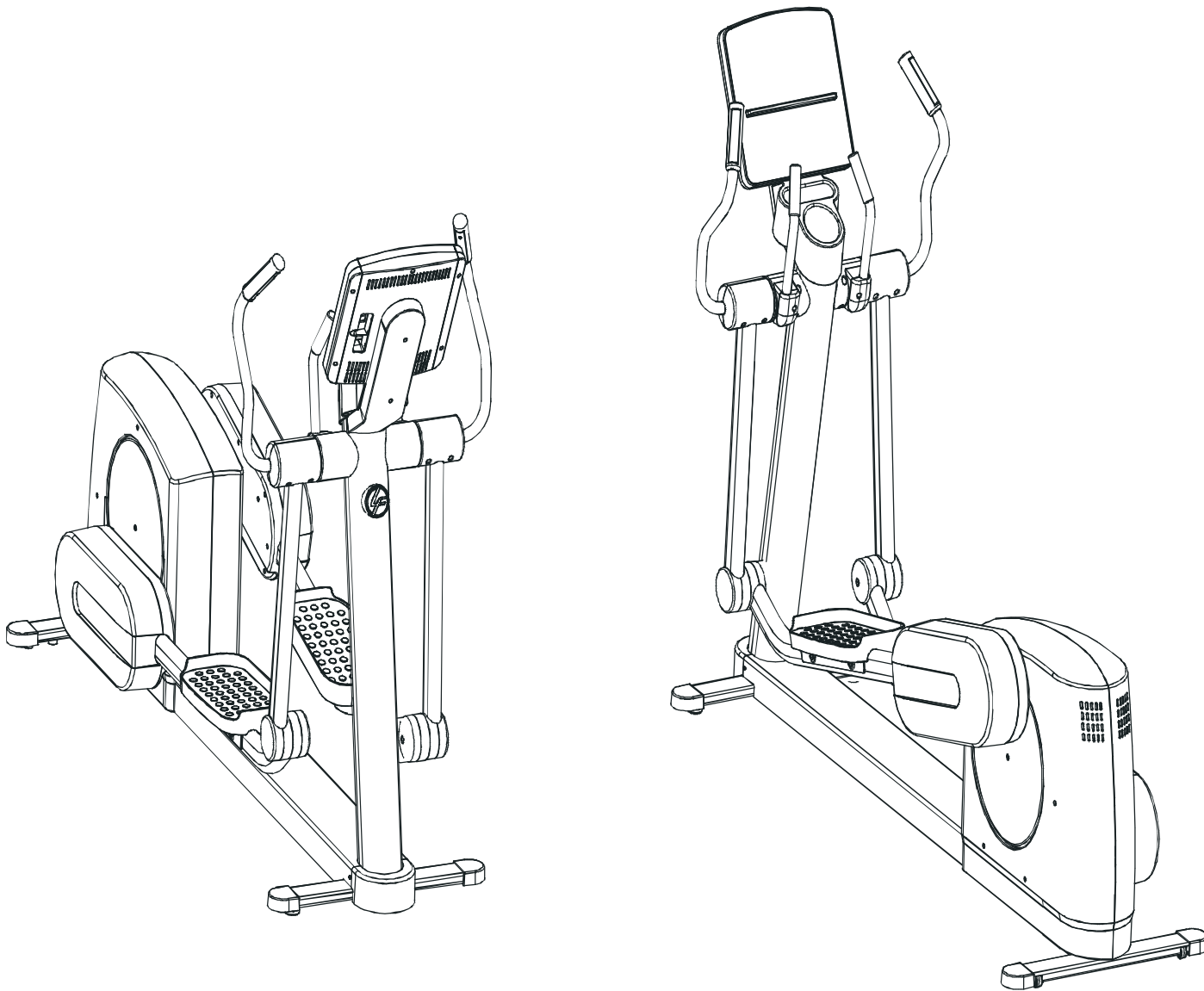


LifeFitness

Cross-trainer 95Xe



Customer Support Services
PARTS MANUAL rev 21 Apr 2010

CROSS TRAINER 95Xe
REFERENCES

95XE-0XXX-02
S N XTC 100000

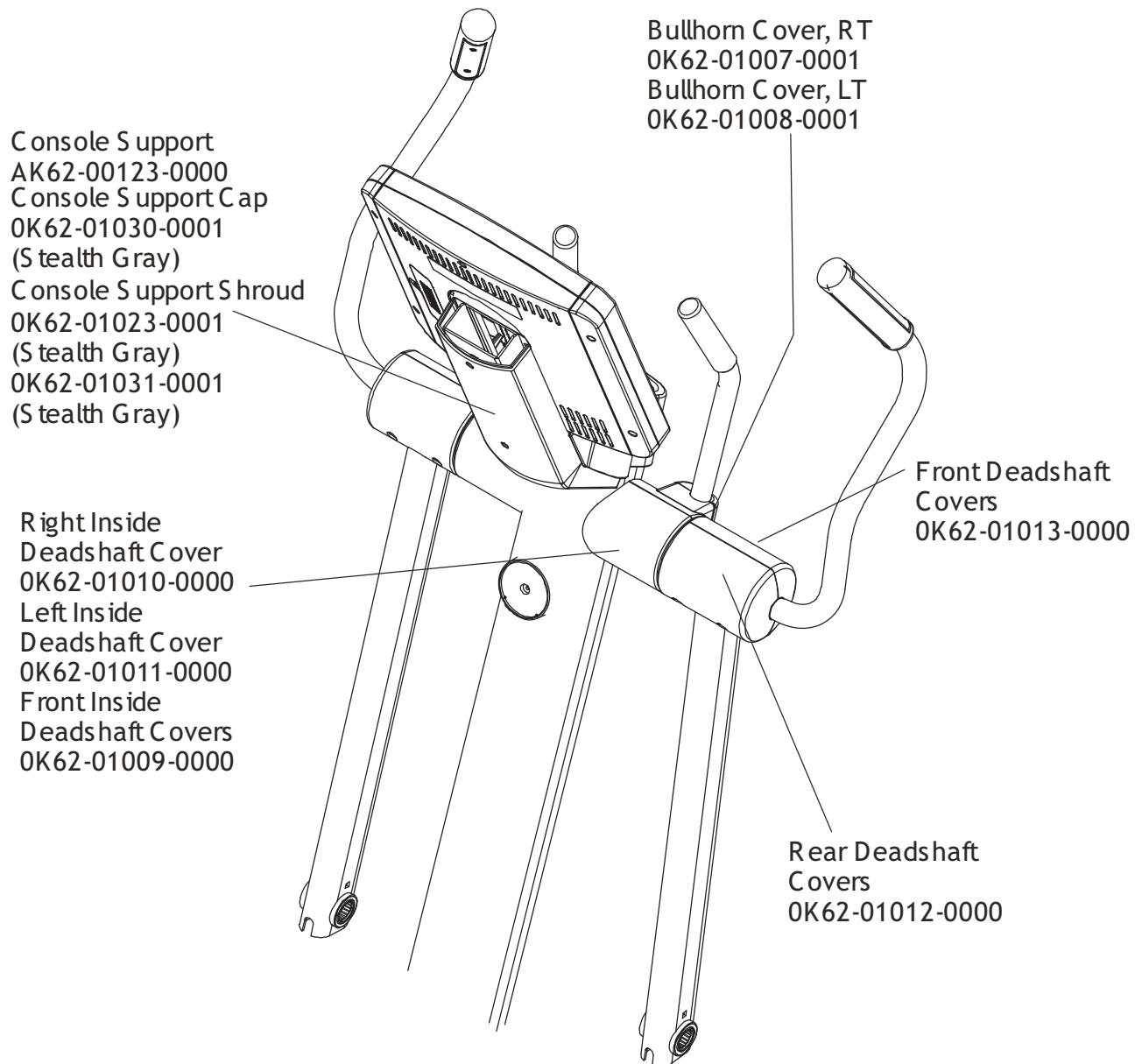
OPERATION MANUAL	M051-00K62-A044
SERVICE MANUAL	M051-00K62-A060
HARDWARE BAG	AK62-00152-0001
ACCESS PANEL ASSEMBLY	AK62-00172-0000
COAX CABLE	AK32-00020-0000
DC POWER CABLE, 80 IN.	AK32-00075-0004
LINE CORD: DOM 10A 125V	0017-00003-0704
LINE CORD: CON 10A 250V	0017-00003-0691
LINE CORD: 10A UK	0017-00003-0889
LINE CORD: AUSTRALIA	0017-00003-0918
POWER SUPPLY w/CORD, 12v	118E-00001-0161

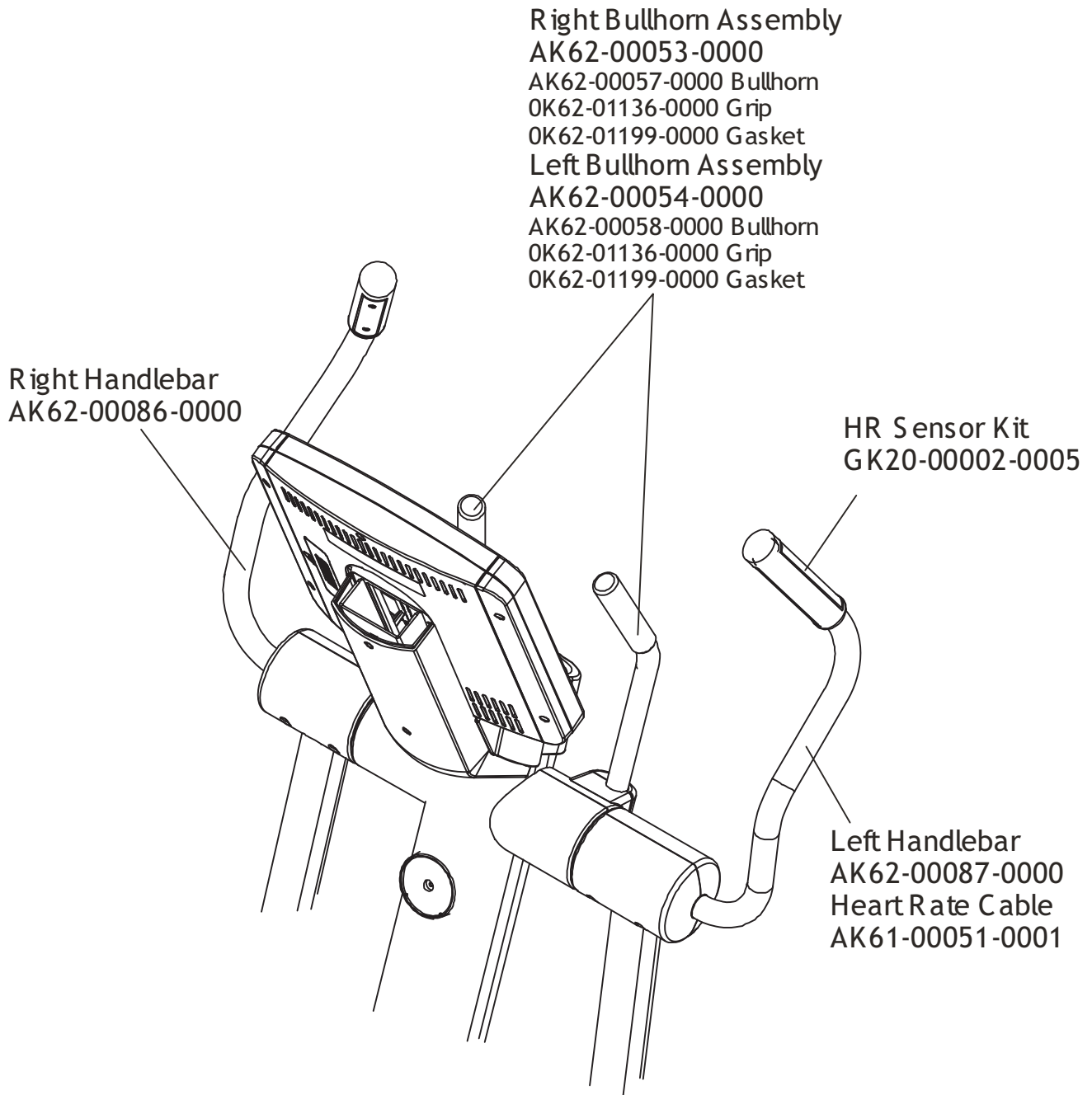
	Page
CONSOLE SUPPORT & DEADSHAFT COVERS	4
HANDLEBARS AND BULLHORNS	5
CONSOLE AND RELATED COMPONENTS	6
CONSOLE ASSEMBLY	7
UPPER FRAME HARDWARE	8
ROCKER ARMS AND PEDAL LEVERS	9
CRANK COVER AND LOWER CAPS	10
LOWER FRAME SHROUDS AND HARDWARE	11
PEDAL LEVER COMPONENTS	12
DRIVE MODULE COMPONENTS AND MAIN CABLE	13
DRIVE MODULE HARDWARE	14
BLOCK DIAGRAM	15

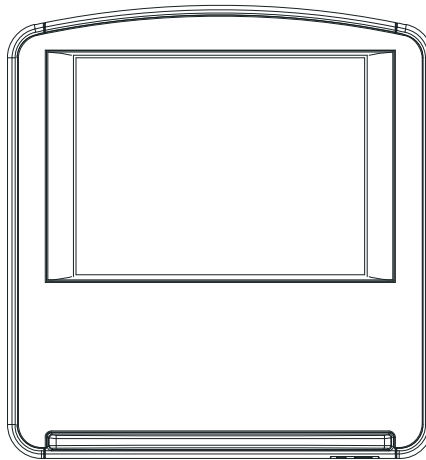
Note: The 95Xe comes with both Telemetry and LifePulse Sensors.

CROSS TRAINER 95Xe
Console S support & Deadshaft Covers

95XE-0XXX-02
S N XTC 100000







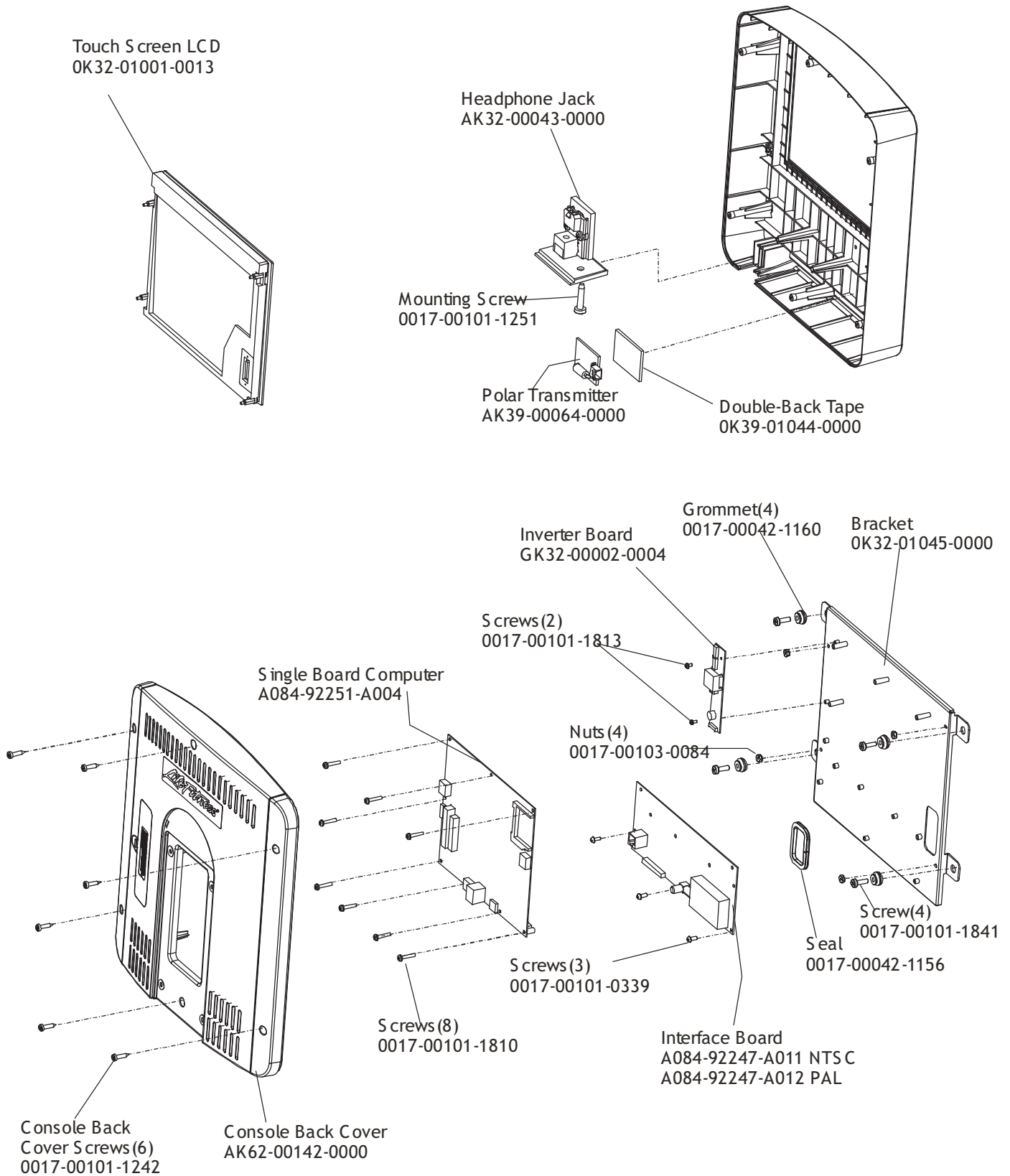
CONSOLE ASSEMBLY	
PART NUMBER	DESCRIPTION
GK62-00002-0047	KIT: SERVICE LCD CONSOLE NTSC; ENG
GK62-00002-0048	KIT: SERVICE LCD CONSOLE NTSC; SPN
GK62-00002-0049	KIT: SERVICE LCD CONSOLE NTSC; JAP
GK62-00002-0050	KIT: SERVICE LCD CONSOLE NTSC; FRN
GK62-00002-0054	KIT: SERVICE LCD CONSOLE PAL; ENG
GK62-00002-0055	KIT: SERVICE LCD CONSOLE PAL; GER
GK62-00002-0056	KIT: SERVICE LCD CONSOLE PAL; SPN
GK62-00002-0057	KIT: SERVICE LCD CONSOLE PAL; FRN
GK62-00002-0058	KIT: SERVICE LCD CONSOLE PAL; ITL
GK62-00002-0059	KIT: SERVICE LCD CONSOLE PAL; DUT
GK62-00002-0060	KIT: SERVICE LCD CONSOLE PAL; POR

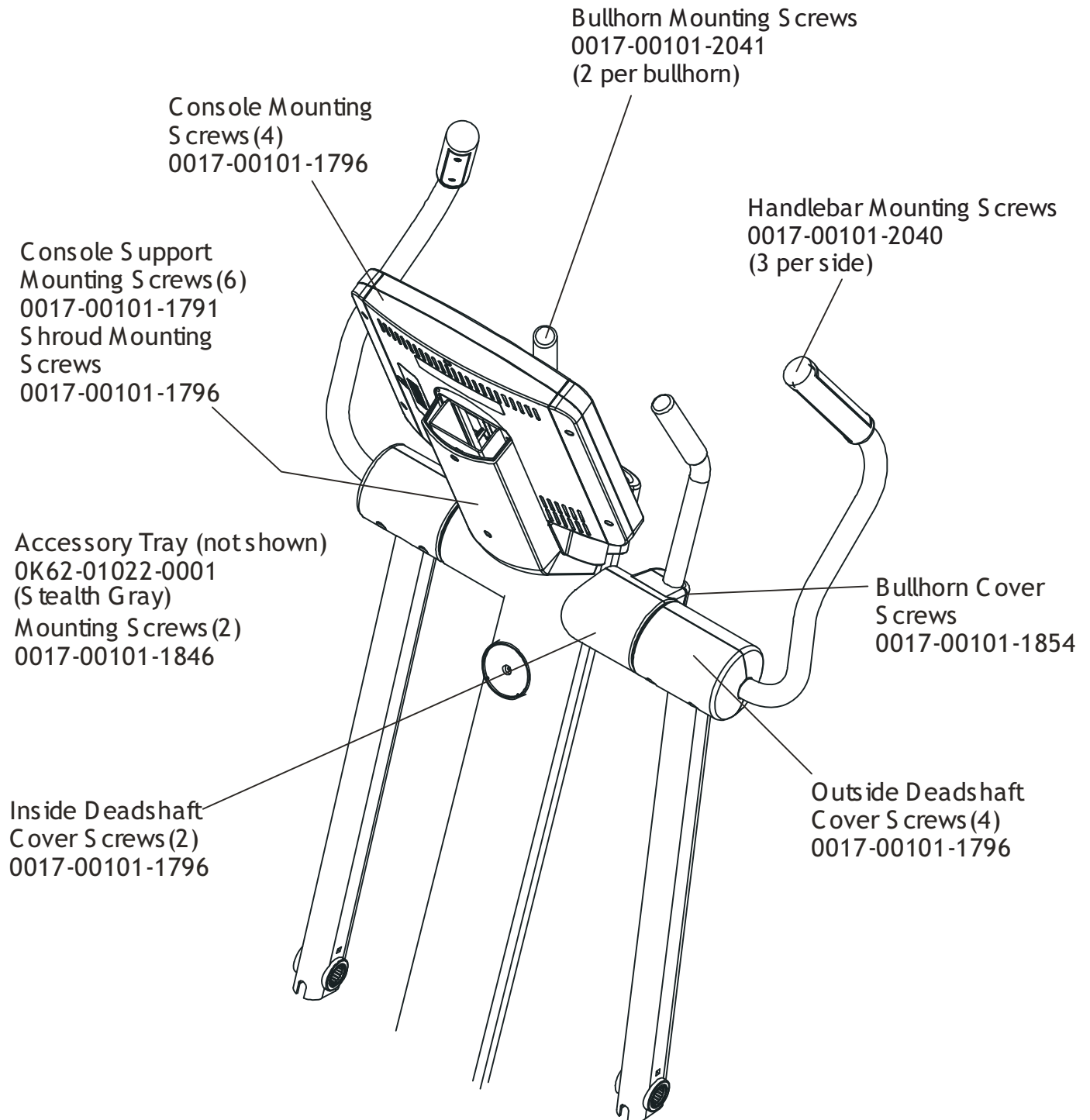
OVERLAY BEZEL ASSEMBLY	
PART NUMBER	DESCRIPTION
AK62-00308-0001	BZLSW W/OVERLAY ASSY: MFG; ENG/NTSC
AK62-00308-0004	BZLSW W/OVERLAY ASSY: MFG; SPN/NTSC
AK62-00308-0006	BZLSW W/OVERLAY ASSY: MFG; JAP/NTSC
AK62-00308-0007	BZLSW W/OVERLAY ASSY: MFG; FRN/NTSC
AK62-00308-0010	BZLSW W/OVERLAY ASSY: MFG; POR/NTSC
AK62-00309-0001	BZLSW W/OVERLAY ASSY: MFG; ENG/PAL
AK62-00309-0003	BZLSW W/OVERLAY ASSY: MFG; GER/PAL
AK62-00309-0004	BZLSW W/OVERLAY ASSY: MFG; SPN/PAL
AK62-00309-0007	BZLSW W/OVERLAY ASSY: MFG; FRN/PAL
AK62-00309-0008	BZLSW W/OVERLAY ASSY: MFG; ITL/PAL
AK62-00309-0009	BZLSW W/OVERLAY ASSY: MFG; DUT/PAL
AK62-00309-0010	BZLSW W/OVERLAY ASSY: MFG; POR/PAL

CROSS TRAINER 95Xe

Console Assembly

95XE-0XXX-02
S N XTC 100000





CROSS TRAINER 95Xe

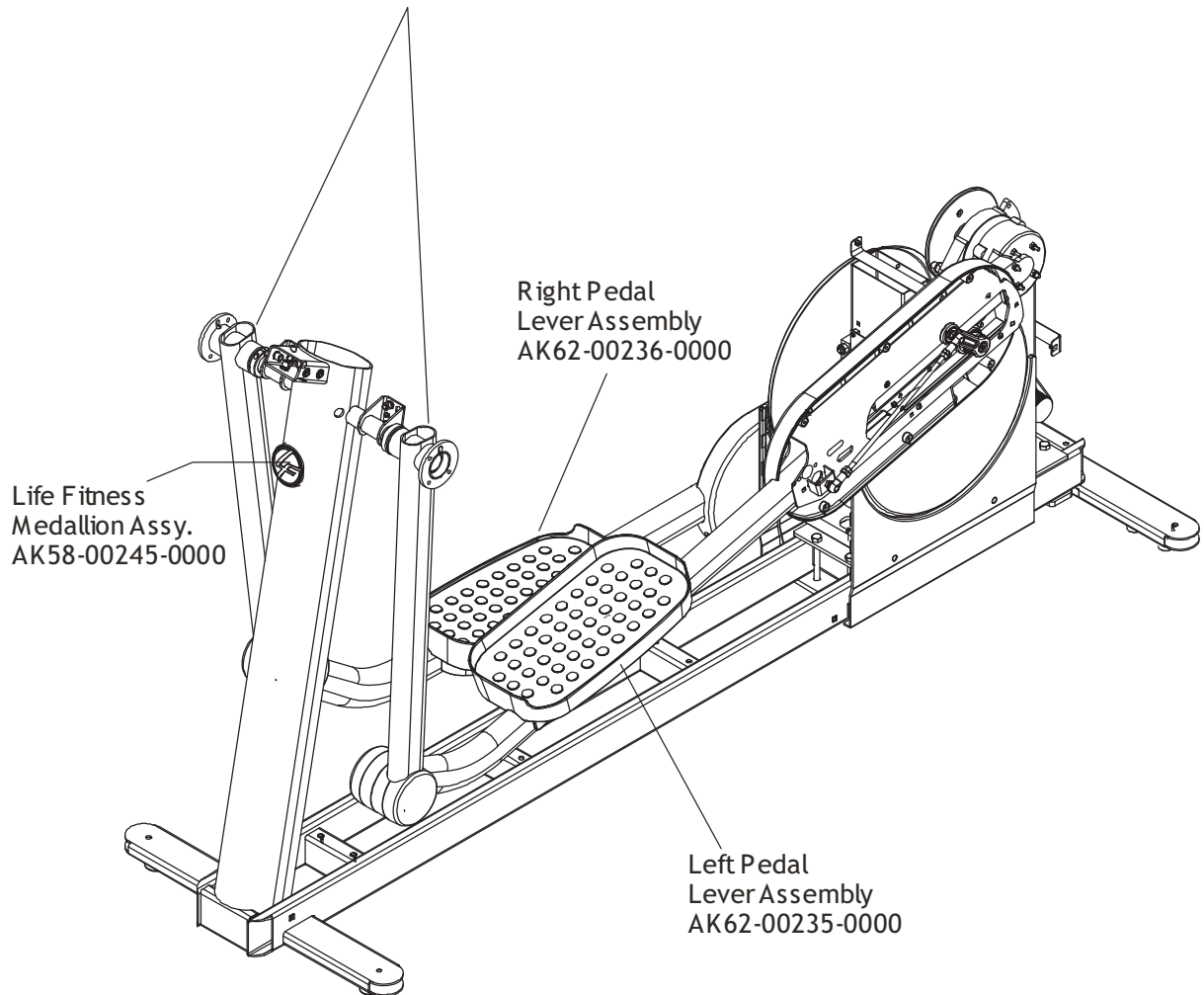
Rocker Arms & Pedal Levers

95XE-0XXX-02
S N XTC100000

Rocker Arms Kit
GK62-00002-0070
contents:

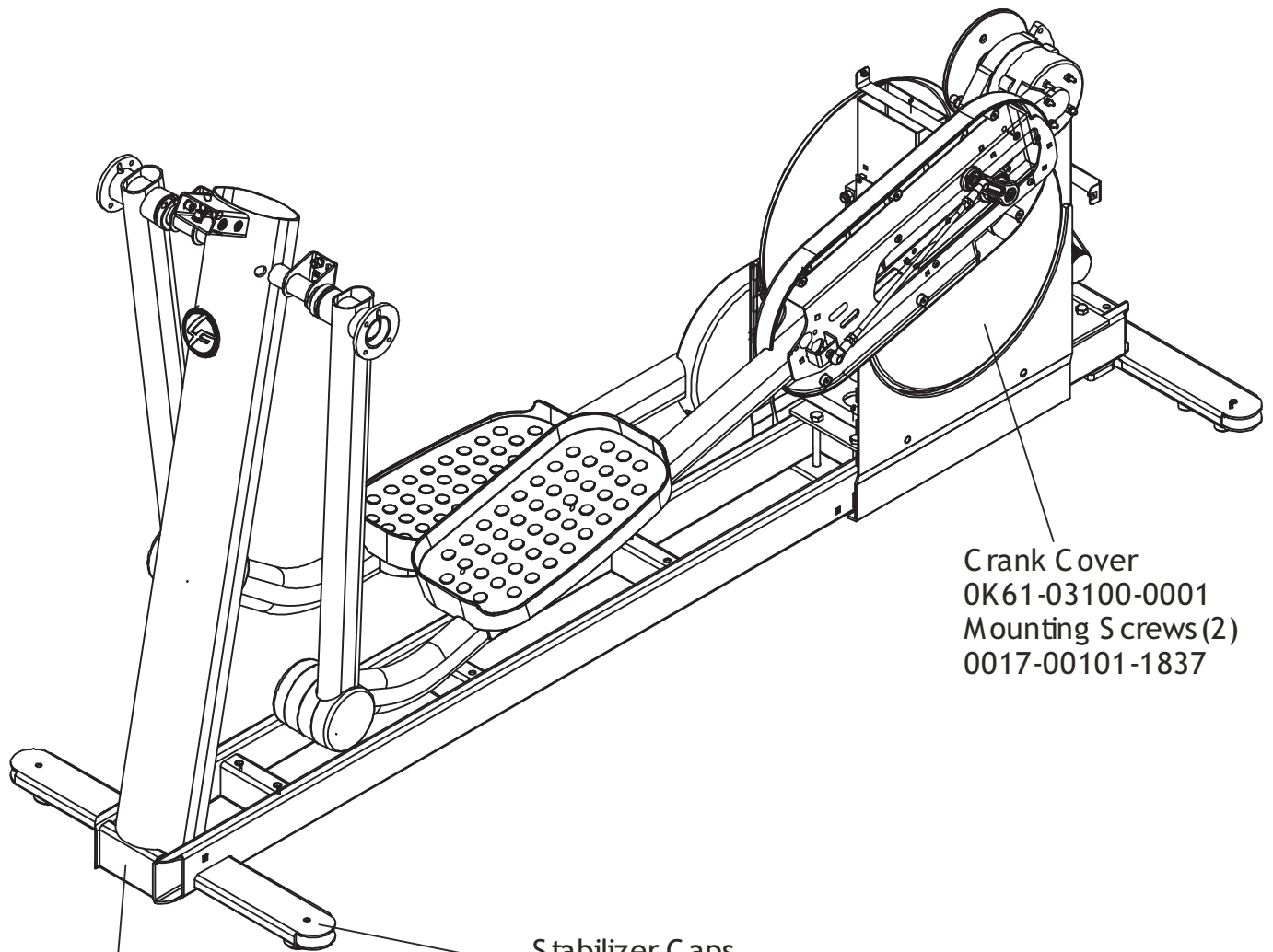
Rocker Arms (2)
Hardened Spacers (2)
Oilite Washers (2)
Retaining Rings (2)
Loctite 620
Alcohol pad

Rocker Arms
AK62-00062-0001
Shaft Collar w/S crews
OK61-01259-0000



CROSS TRAINER 95Xe
Crank Cover and Lower Caps

95XE-0XXX-02
S/N XTC100000



Crank Cover
OK61-03100-0001
Mounting Screws (2)
0017-00101-1837

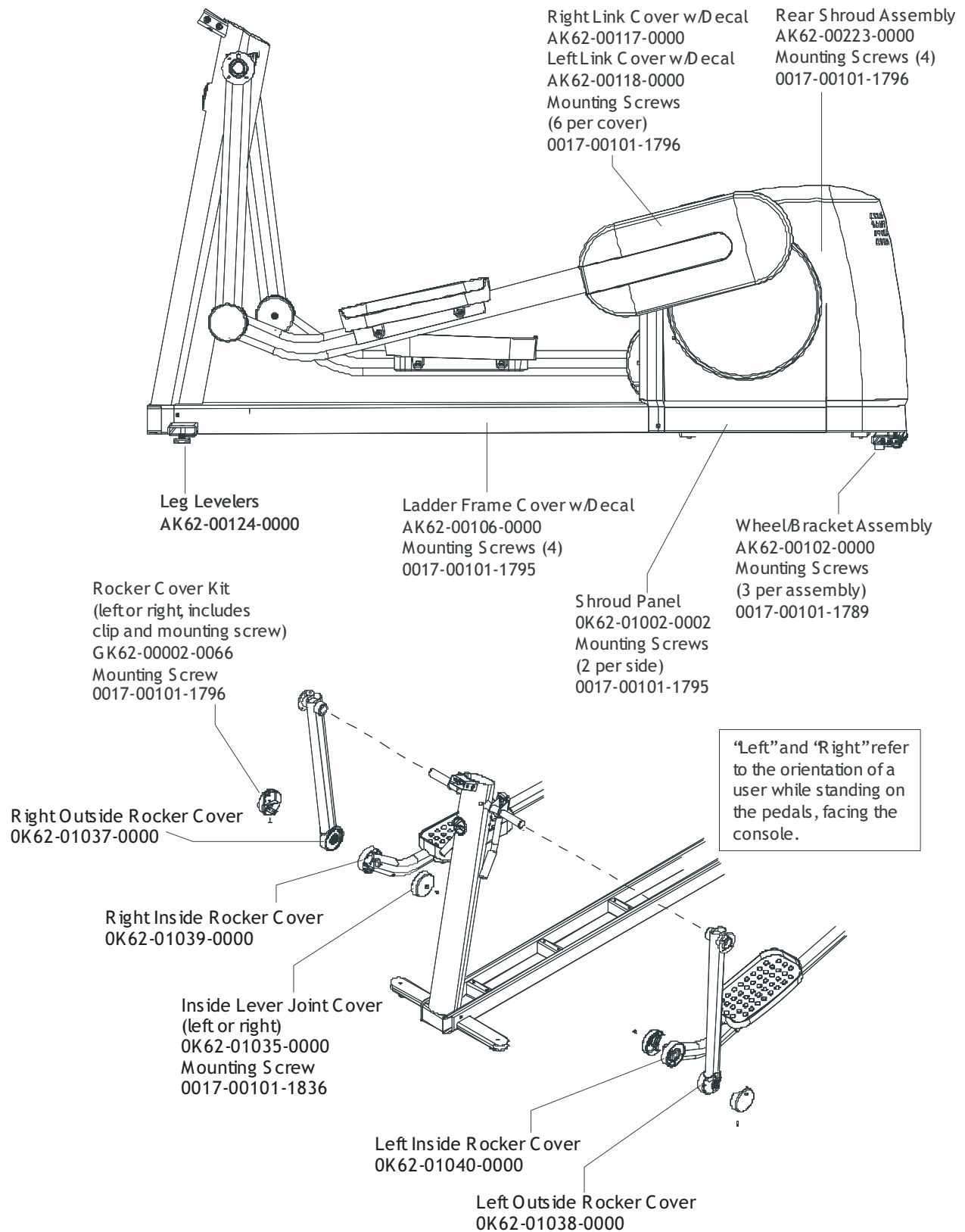
Front Frame Cap
OK62-01004-0002
(Stealth Gray)
Mounting Screws
0017-00101-1795(2)

Stabilizer Caps
OK62-01003-0000(4)

CROSS TRAINER 95Xe

Lower Frame Shrouds & Hardware

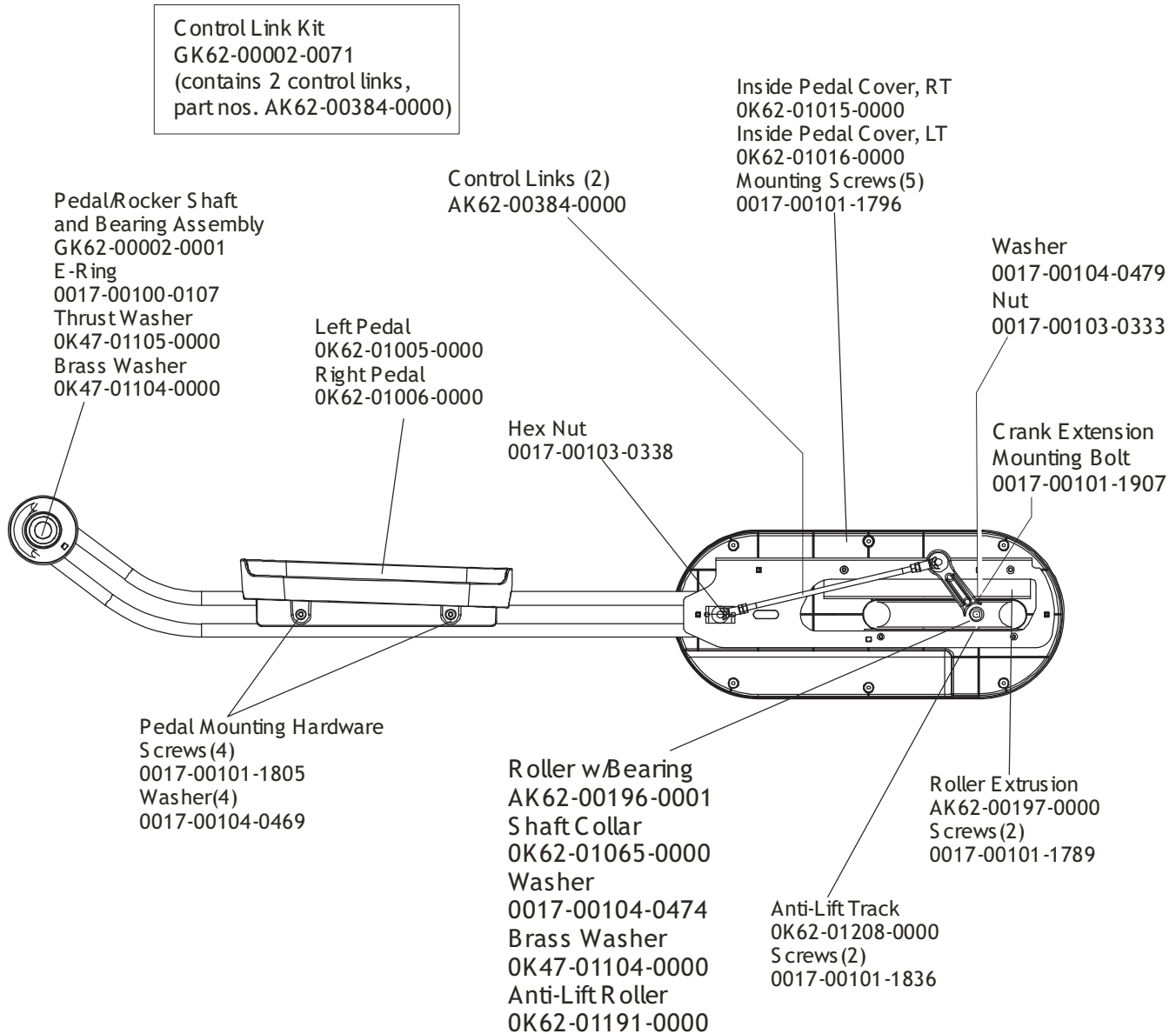
95XE-0XXX-02
S/N XTC100001



CROSS TRAINER 95Xe

Pedal Lever Assembly Components

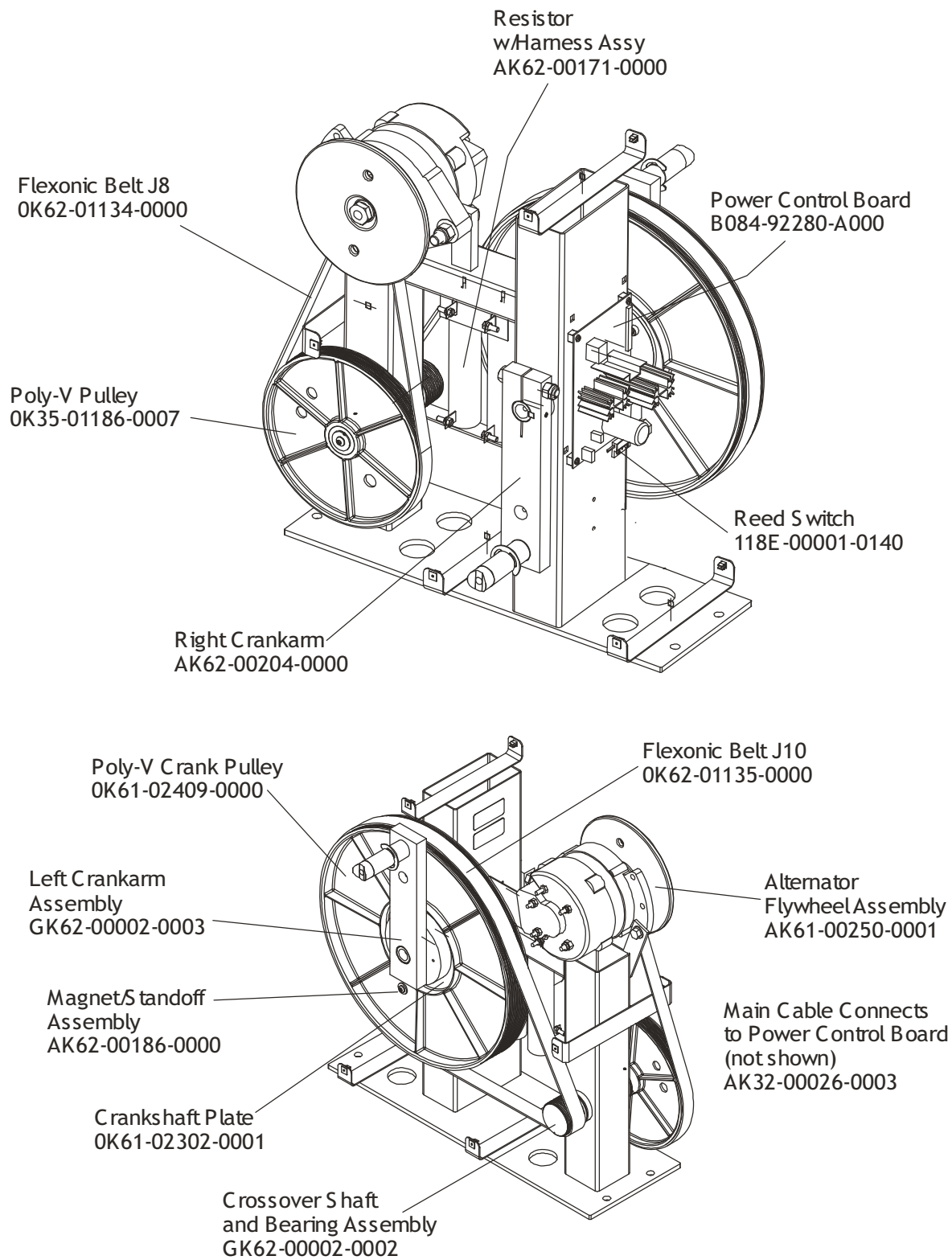
95XE-0XXX-02
S/N XTC 100000

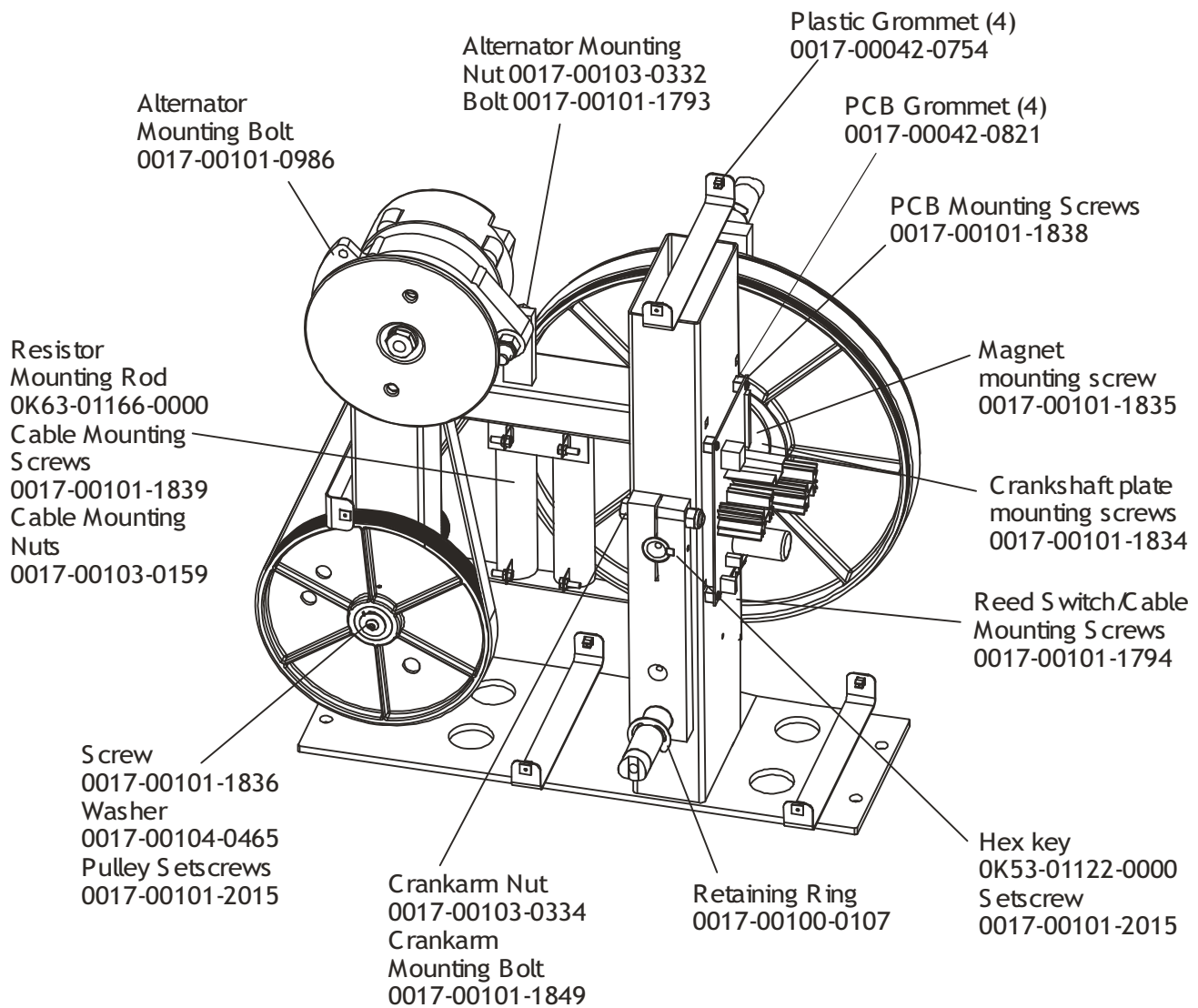


Note: If replacing the Tie Rod Assembly or Crank Extension for the first time, order kit GK62-00002-0015. Both sides must be replaced simultaneously in this situation.

CROSS TRAINER 95Xe
Drive Module Components & Cable

95XE-0XXX-02
S/N XTC100000





CROSS TRAINER 95Xe

Block Diagram

95XE-0XXX-02
S/N XTC 100000

