

# Integrity Treadmill with Integrity C / X, Discover SE3 HD / ST Consoles

INTD, INTDE, INTS, INTSE, CSTD, INT-TRD, INT-TRD-CS, INT-TRD-B1,  
INT-TRD-CS-B1, INTOTF

HHT, HTT, HXU, HHS, HTW, HHK, CHT, CHZ, CHY, CHS, PHS, PHT, PHK, PHJ, ETB, ETW, ETS, OTF,  
OTH, TIB, TIC,

PARTS MANUAL



# Table of Contents

---

<b>SKUs / Models</b>	<b>2</b>
<b>Bridge, Uprights and Grounding Cables</b>	<b>4</b>
<b>Bridge - Shrouds</b>	<b>6</b>
<b>Bullhorns</b>	<b>7</b>
<b>Lift Frame, Leg Levelers and Wheels</b>	<b>9</b>
<b>Lift Frame, Leg Levelers and Wheels</b> ( <i>INTS-ALLLX-02PF, INTS-ALLLX-03PF, INTSE-ALLLX-03PF</i> )	<b>10</b>
<b>Drive Motor, Pulley and Rollers</b>	<b>11</b>
<b>Base Frame Electronics</b>	<b>12</b>
<b>Upper Shroud Electronics - Discover Console</b>	<b>14</b>
<b>Deck, Rails and End Caps</b>	<b>15</b>
( <i>ETW, HHS, HTW, HHT, CHT, HTT, ETS, TIC, TIB, PHT, PHS, PHK, CHS, CHY, ETB, HHK, CHZ, PHJ, HXU</i> )	<b>15</b>
( <i>OTF, OTH</i> )	<b>18</b>
<b>Mounting Plastic Shrouds - OTF, OTH</b>	<b>20</b>
<b>Console - Rear Shrouds</b>	<b>21</b>
<b>Service Wheel</b>	<b>22</b>
<b>Lower Base Wiring</b>	<b>24</b>
<b>Upper Base with Integrity Console Wiring</b>	<b>26</b>
<b>Discover Console Wiring Diagram</b>	<b>28</b>
<b>Power Cords</b>	<b>30</b>
<b>Compatible Consoles</b>	<b>32</b>

# SKUs / Models

## Parts List

Finished Good SKU	Description	Alpha Code	Serial Number Range
INTD-ALLX-01	TR BASE INTY-D LO CML	HHT	100001 - 999999
INTD-ALLHX-01	TR BASE INTY-D HI CML		
INTS-ALLX-01	TR BASE INTY-S LO CML		
INTS-ALLHX-01	TR BASE INTY-S HI CML		
INTD-ALLX-02	TR BASE INTY-D LO CML		
INTD-ALLHX-02	TR BASE INTY-D HI CML		
INTS-ALLX-02	TR BASE INTY-S LO CML		
INTS-ALLHX-02	TR BASE INTY-S HI CML		
INTDE-ALLX-01	INTEGRITY D TREAD BASE LOW VT	HTT	
INTDE-ALLHX-01	INTEGRITY D TREAD BASE HIGH VT		
INTDE-BASEKIT-5101	ARCTIC SILVER D TREAD BASE	HXU	
INTDE-BASEKIT-7201	TITANIUM D TREAD BASE		
INTDE-BASEKIT-7302	TR KIT INTY-D DISCOVER BLK		
INTDE-BASEKIT-5102	TR KIT INTY-D DISCOVER ARCT		
INTDE-BASEKIT-7102	TR KIT INTY-D DISCOVER WHT		
INTDE-BASEKIT-7202	TR KIT INTY-D DISCOVER TITAN		
INTS-ALLX-SW02	S TREAD BASE LOW VT SERVICE WHEEL	HHS	
INTS-ALLHX-SW02	S TREAD BASE HIGH VT SERVICE WHEEL		
INTD-ALLX-SW02	D TREAD BASE LOW VT SERVICE WHEEL		
INTD-ALLHX-SW02	D TREAD BASE HIGH VT SERVICE WHEEL		
INTDE-ALLX-SW02	D TREAD BASE LOW VT SERVICE WHEEL	HTW	
INTDE-ALLHX-SW02	D TREAD BASE HIGH VT SERVICE WHEEL		

Finished Good SKU	Description	Alpha Code	Serial Number Range
INTS-BASEKIT-5101	TR KIT INTY-S ARCT	HHK	100001 - 999999
INTD-BASEKIT-5101	HERCULES BOX2 FEATURED ARCTIC SILVER		
INTD-BASEKIT-7201	HERCULES BOX2 FEATURED TITANIUM		
INTS-BASEKIT-5102	TR KIT INTY-S ARCT		
INTD-BASEKIT-5102	ARCTIC SILVER D TREAD BASE		
INTD-BASEKIT-7102	DIAMOND WHITE TREAD D BASEKIT		
INTD-BASEKIT-7202	TITANIUM D TREAD BASE		
INTD-BASEKIT-7302	ONXY BLACK TREAD D BASEKIT		

Finished Good SKU	Description	Alpha Code	Serial Number Range
CSTD-DMLXX-XX01	TR BASE CLUB LO CSR	CHT	100001 - 999999
CSTD-DMLXX-XX02	TR BASE CLUB LO CSR		
CSTD-INHXE-XX01	TR BASE CLUB HI CSR		
CSTD-INHXE-XX02	TR BASE CLUB HI CSR		
CSTD-INHXK-XX01	TR BASE CLUB HI CSR		
CSTD-INHXK-XX02	TR BASE CLUB HI CSR		
CSTD-INHXA-XX01	TR BASE CLUB HI CSR		
CSTD-INHXA-XX02	TR BASE CLUB HI CSR		

# SKUs / Models

Finished Good SKU	Description	Alpha Code	Serial Number Range
INTS-ALLX-01PF	TR BASE INTY-S LO CML PF	PHT	100001 - 100072
INTS-ALLX-02PF	TR BASE INTY-S LO CML PF		100073 - 100147
INTS-ALLX-03PF	TR BASE INTY-S LO CML PF		100148 - 999999

Finished Good SKU	Description	Alpha Code	Serial Number Range
INTS-BASEKIT-01PF	TR KIT INTY-S PF	PHK	100001 - 100118
INTS-BASEKIT-03PF	TR KIT INTY-S PF		100119 - 999999
INTS-BASEKIT-04PF	TR KIT INTY-S PF		100119 - 999999

Finished Good SKU	Description	Alpha Code	Serial Number Range
CSTD-BASEKIT-7201	TR KIT CLUB TITN CSR	CHZ	100001 - 999999
CSTD-BASEKIT-7202	TR KIT CLUB TITN CSR		
CSTDE-BASEKIT-7202	TR KIT CLUB TITN CSR	CHY	
CSTDE-DMLXX-XX02	TR BASE CLUB LO CSR	CHS	

Finished Good SKU	Description	Alpha Code	Serial Number Range
INTSE-ALLX-01PF	TR BASE INTY SMPL W-DISC LO PF CML	PHS	100001 - 100198
INTSE-ALLX-03PF	TR BASE INTY SMPL W-DISC LO PF CML		100199 - 999999
INTSE-ALLX-SW02	S TREAD BASE LOW VT SERVICE WHEEL	ETW	100001 - 999999
INTSE-ALLX-SW02	S TREAD BASE HIGH VT SERVICE WHEEL		

Finished Good SKU	Description	Alpha Code	Serial Number Range
INTSE-BASEKIT-01PF	TR KIT INTY SMPL W-DISC PF CML	PHJ	100001 - 100221
INTSE-BASEKIT-03PF	TR KIT INTY SMPL W-DISC PF CML		100222 - 999999
INTSE-BASEKIT-04PF	TR KIT INTY SMPL W-DISC PF CML		100222 - 999999
INTSE-BASEKIT-5102	TR KIT INTY-S DISCOVER ARCT	ETB	100001 - 999999

Finished Good SKU	Descriptions	Alpha Code	Serial Number Range
INTOTF-ALLX-01	INTEGRITY OTF TREAD BASE LOW VT	OTF	100001 - 999999
INTOTF-ALLHX-01	INTEGRITY OTF TREAD BASE HIGH VT		
INTOTF-BASEKIT-1131	ORANGE THEORY TREAD BASE METALLIC BLACK ROBUST	OTH	

Finished Good SKU	Description	Alpha Code	Serial Number Range
INTSE-ALLX-02	TR BASE INTY-S DISCOVER LO CML	ETS	100000 - 999999
INTSE-ALLHX-02	TR BASE INTY-S DISCOVER HI CML	ETS	

Model	Description	Alpha Code	Serial Number Range
INT-TRD-B1	INTEGRITY TREADMILL BASE - 3 HIGH	TIB	100000 - 999999

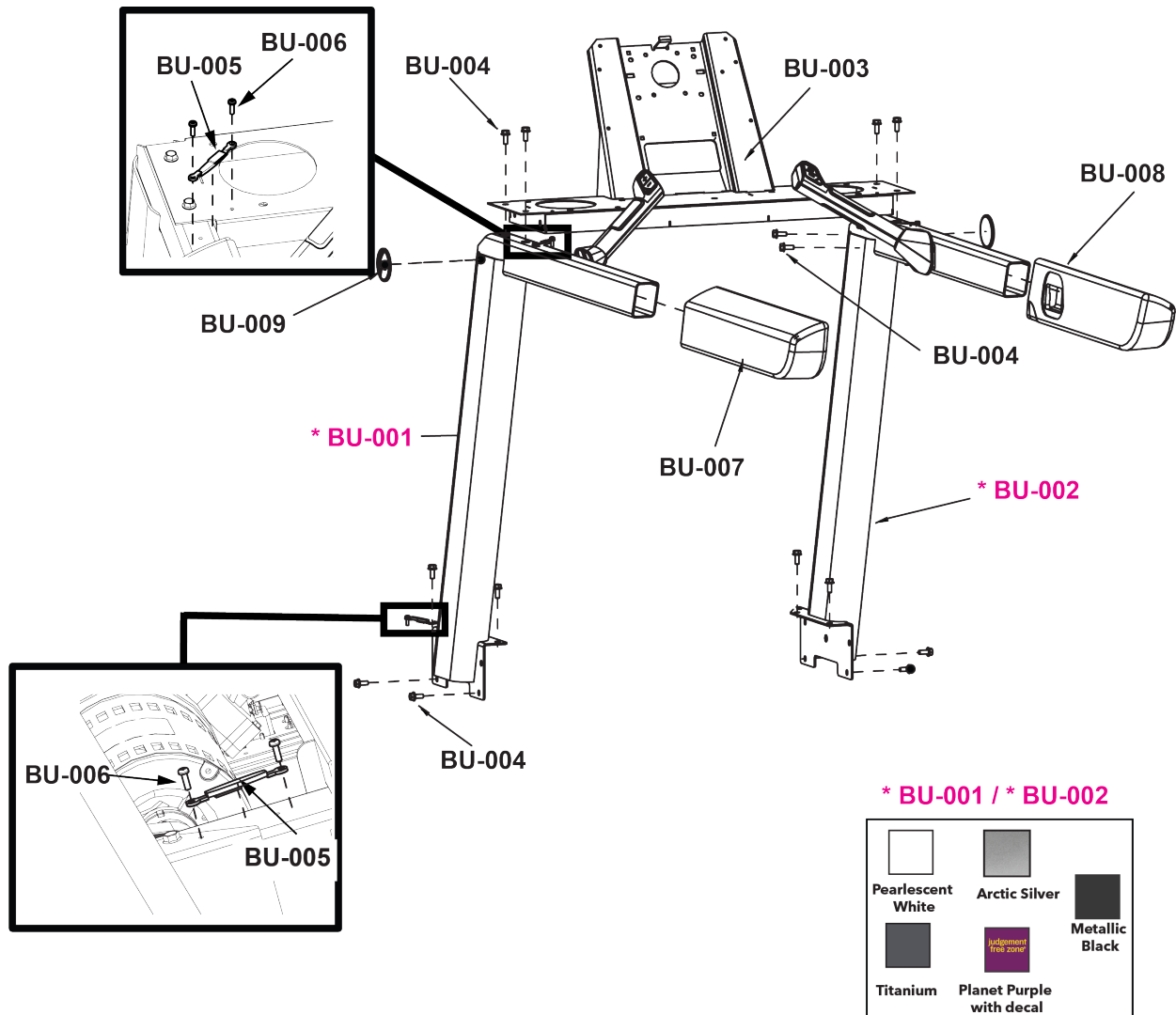
Model	Description	Alpha Code	Serial Number Range
INT-TRD-CSB1	CLUB SERIES PLUS TREADMILL BASE - 3 HIGH	TIC	100000 - 999999

Model	Description	Alpha Code	Serial Number Range
INT-TRD	INTEGRITY TREADMILL - ONE BOX	HHT	100000 - 999999

Model	Description	Alpha Code	Serial Number Range
INT-TRD-CS	CLUB SERIES PLUS TREADMILL - ONE BOX	CHT	100000 - 999999

# Bridge, Uprights and Grounding Braid Cables

Parts listed on following page.

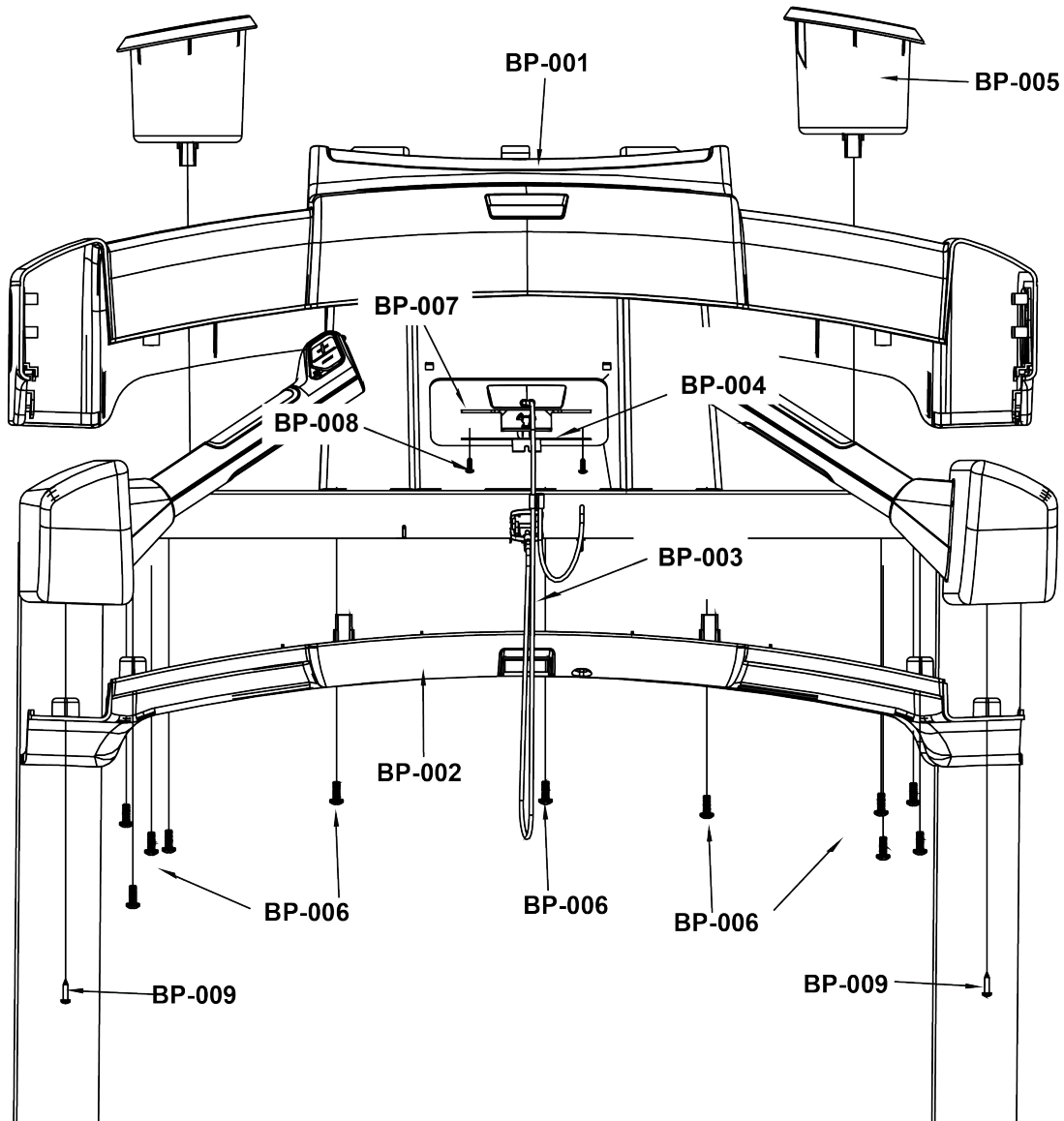


# Bridge, Uprights and Grounding Braid Cables

## Parts List

Item	Alpha Code	Part Number	Description (Quantity)
<b>SIMPLE UPRIGHT ASSEMBLIES</b>			
BU-001	HHK, CHZ, HXU, TIC, TIB, ETB, CHT, HHT	1014192-0001	ASSEMBLY: UPRIGHT W/ INSERTS; LEFT, ARCTIC SILVER
BU-002	HHK, CHZ, HXU, TIC, TIB, ETB, CHT, HHT	1014194-0001	ASSEMBLY: UPRIGHT W/INSERTS; RIGHT, ARCTIC SILVER
BU-002	OTH	1014195-0001	ASSEMBLY: UPRIGHT W/INSERTS; RIGHT, METALLIC BLACK
BU-001	OTH	1014193-0001	ASSEMBLY: UPRIGHT W/ INSERTS; LEFT, METALLIC BLACK
<b>FEATURED UPRIGHT ASSEMBLIES</b>			
BU-001	HHK, CHZ, HXU, TIC, TIB, CHT, HHT	1014188-0001	ASSEMBLY: UPRIGHT W/INSERT, LEFT, ARCTIC SILVER, ROBUST
BU-001	HHK, CHZ, HXU, TIC, TIB, CHY, CHT, HHT	1014190-0001	ASSEMBLY: UPRIGHT W/INSERT, LEFT, TITANIUM, ROBUST
BU-001	HHK, CHZ, HXU, TIC, TIB, CHT, HHT	1014191-0001	ASSEMBLY: UPRIGHT W/INSERT, LEFT, METALLIC BLACK
BU-001	HHK, CHZ, HXU, TIC, TIB, CHT, HHT	1014189-0001	ASSEMBLY: UPRIGHT W/INSERT, LEFT, PEARLESCENT WHITE
BU-001	PHK, PHJ	1012982-0001	ASSEMBLY: UPRIGHT W/DECAL, LEFT, PURPLE, ROBUST
BU-002	PHK, PHJ	1012985-0001	ASSEMBLY: UPRIGHT W/DECAL, RIGHT, PURPLE, ROBUST
BU-002	HHK, CHZ, HXU, TIC, TIB, CHT, HHT	1014184-0001	ASSEMBLY: UPRIGHT W/INSERT, RIGHT, ARCTIC SILVER, ROBUST
BU-002	HHK, CHZ, HXU, TIC, TIB, CHY, CHT, HHT	1014186-0001	ASSEMBLY: UPRIGHT W/INSERT, RIGHT, TITANIUM, ROBUST
BU-002	HHK, CHZ, HXU, TIC, TIB, CHT, HHT	1014187-0001	ASSEMBLY: UPRIGHT W/INSERT; RIGHT, METALLIC BLACK
BU-002	HHK, CHZ, HXU, TIC, TIB, CHT, HHT	1014185-0001	ASSEMBLY: UPRIGHT W/INSERT, RIGHT, PEARLESCENT WHITE
BU-003	HHK, PHK, PHJ, CHZ, OTH, HXU, TIC, TIB, CHY, ETB, CHT, HHT	1001825-0000	WELDMENT: BRIDGE
BU-004	HHK, PHK, PHJ, CHZ, OTH, HXU, TIC, TIB, CHY, ETB, CHT, HHT	1005191-0001	SCREW: M8 X 20 UNS HXW CS ST (16)
BU-005	HHK, PHK, PHJ, CHZ, OTH, HXU, TIC, TIB, CHY, ETB, CHT, HHT	1006261-0001	CABLE: GROUNDING BRAID (4)
BU-006	HHK, PHK, PHJ, CHZ, OTH, HXU, TIC, TIB, CHY, CHT, HHT	0017-00101-1986	SCREW: M5 X 0.8 6G6G X16 DIN PAN TT ST ZN (8)
BU-007	HHK, PHK, PHJ, CHZ, OTH, HXU, TIC, TIB, CHY, ETB, CHT, HHT	1004665-0000	GRIP: LEFT, USER ARM, FOAM, SIMPLE
		1001829-0000	GRIP: LEFT; USER ARM; FOAM
BU-008	HHK, PHK, PHJ, CHZ, OTH, HXU, TIC, TIB, CHY, ETB, CHT, HHT	1004666-0000	GRIP: RIGHT, USER ARM, FOAM, SIMPLE
		1001830-0000	GRIP: RIGHT; USER ARM; FOAM
BU-009	HHK, CHZ, HXU, TIC, TIB, CHY, CHT, HHT	AK58-00245-2401	"BUG" MEDALLION (2)

# Bridge - Shrouds

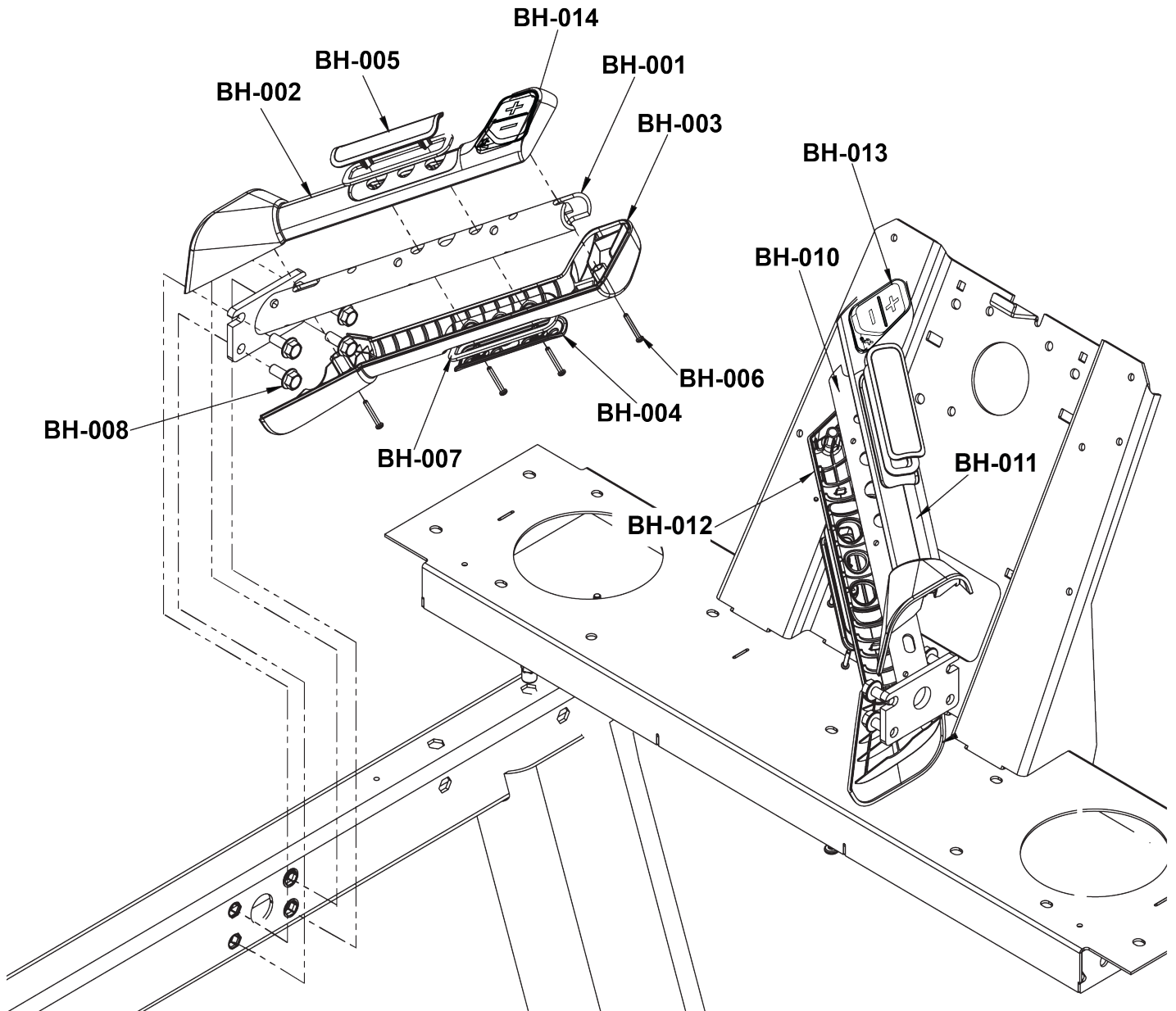


## Parts List

Item	Alpha Code /Model	Part Number	Description (Quantity)
BP-001		1009938-0001	SHROUD: MIDDLE, UPPER , CHARCOAL GRAY
BP-002		1009938-0001	SHROUD: MIDDLE, BOTTOM , CHARCOAL GRAY
BP-003		1002224-0000	TETHER ASSEMBLY
BP-004		1002228-0001	TETHER PLATE
BP-005	HHK, CHZ, PHK, PHJ, OTH, HXU, TIC, TIB, CHY, ETB, CHT, HHT	1001740-2400	CUP HOLDER (2)
BP-006		0017-00101-2138	M6 X 16 PHILLIPS PAN HEAD SCREW (13)
BP-007		1005621-0001	REED SWITCH MOUNTING BRACKET
BP-008		0017-00101-1650	6-19X6 PHILLIPS PAN HEAD SCREW (2)
BP-009		0017-00101-1796	M4.2XX 19 DIN PHL PAN AB ST ZB B (2)

# Bullhorns

Parts listed on following page.

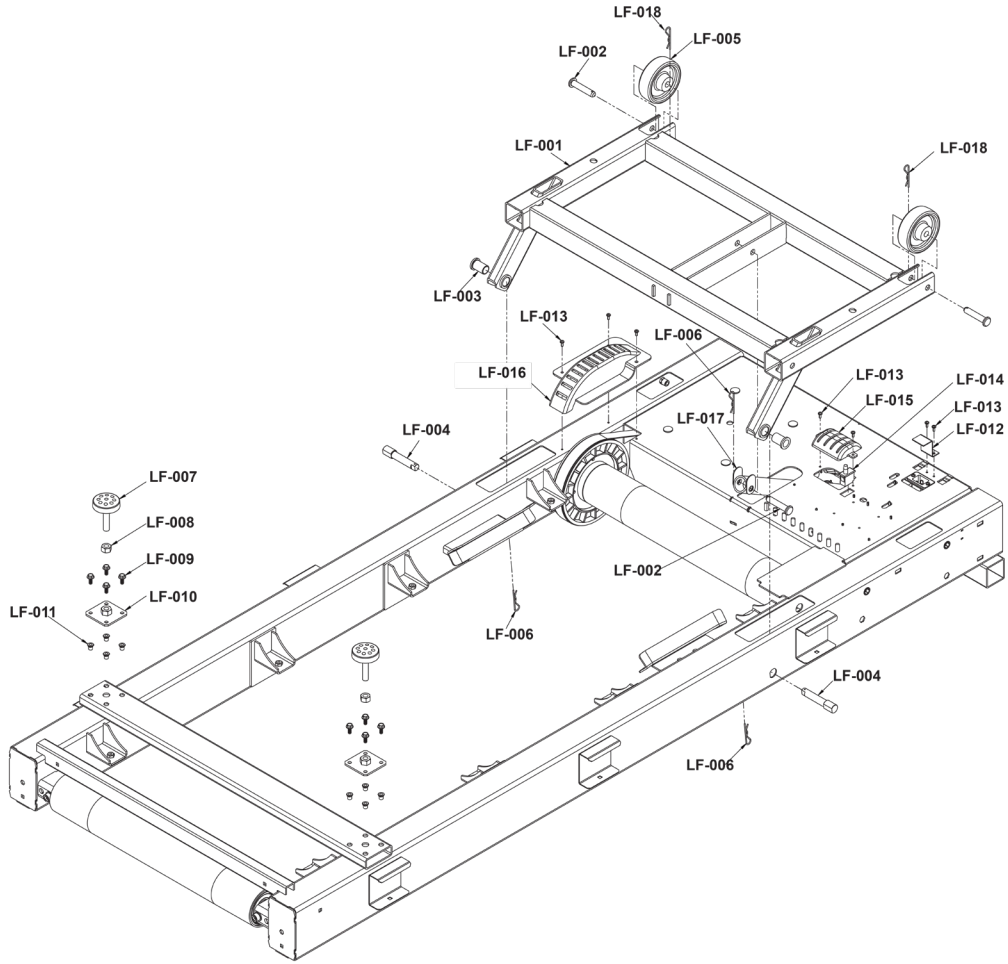


# Bullhorns

## Parts List

Item	Alpha Code	Part Number	Description (Quantity)
BH-001	HHK, CHZ, PHK, PHJ, OTH, HXU, TIC, TIB, CHY, ETB, CHT, HHT	1001795-0001	WELDMENT: BULLHORN, LEFT
BH-002	HHK, CHZ, PHK, PHJ, TIC, TIB, ETB, CHT, HHT	1012066-0001	SHROUD: BULLHORN, TOP, LEFT, SIMPLE, CHARCOAL GRAY
BH-003	HHK, CHZ, PHK, PHJ, OTH, HXU, TIC, TIB, CHY, ETB, CHT, HHT	1012071-0001	SHROUD: BULLHORN, BOTTOM, LEFT CHARCOAL GRAY
		1012069-0001	SHROUD: BULLHORN, BOTTOM, LEFT, SIMPLE CHARCOAL GRAY
BH-004	HHK, CHZ, PHK, PHJ, HXU, TIC, TIB, CHY, ETB, CHT, HHT	AK69-00140-2404	ELECTRODE: INSERT-MOLDED ASSY; 4 INCH; BOTTOM; CHGR (2)
	OTH	1007817-0001	PLASTIC: ELECTRODE FILLER, LOWER
BH-005	HHK, CHZ, PHK, PHJ, HXU, TIC, TIB, CHY, ETB, CHT, HHT	AK69-00139-2404	ELECTRODE: INSERT-MOLDED ASSY; 4 INCH; TOP; CHGR (2)
	OTH	1007814-0001	PLASTIC: ELECTRODE FILLER, UPPER
BH-006	HHK, CHZ, PHK, PHJ, OTH, HXU, TIC, TIB, CHY, ETB, CHT, HHT	0017-00101-2054	6-19X16 PHL PAN HLS ST ZN PLASTITE SCREW (8)
BH-008	HHK, CHZ, PHK, PHJ, OTH, HXU, TIC, TIB, CHY, ETB, CHT, HHT	1005191-0001	SCREW: M8 X 20 UNS HXW CS ST (8)
BH-010	HHK, CHZ, PHK, PHJ, OTH, HXU, TIC, TIB, CHY, ETB, CHT, HHT	1001798-0001	WELDMENT: BULLHORN, RIGHT
BH-011	HHK, CHZ, PHK, PHJ, TIC, TIB, ETB, CHT, HHT	1012068-0001	SHROUD: BULLHORN, TOP, RIGHT, SIMPLE, CHARCOAL GRAY
BH-012	HHK, CHZ, PHK, PHJ, OTH, HXU, TIC, TIB, CHY, ETB, CHT, HHT	1012072-0001	SHROUD: BULLHORN, BOTTOM, RIGHT, CHARCOAL GRAY
		1012070-0001	SHROUD: BULLHORN, BOTTOM, RIGHT, SIMPLE, CHARCOAL GRAY
BH-013	HHK, CHZ, HXU, TIC, TIB, CHY, CHT, HHT	1008489-0001	ASSEMBLY: USER RIGHT SPEED KEYPAD <b>(Featured Units Only)</b>
BH-014	HHK, CHZ, HXU, TIC, TIB, CHY, CHT, HHT	1008488-0001	ASSEMBLY: USER LEFT INCLINE KEYPAD <b>(Featured Units Only)</b>

# Lift Frame, Leg Levelers and Wheels

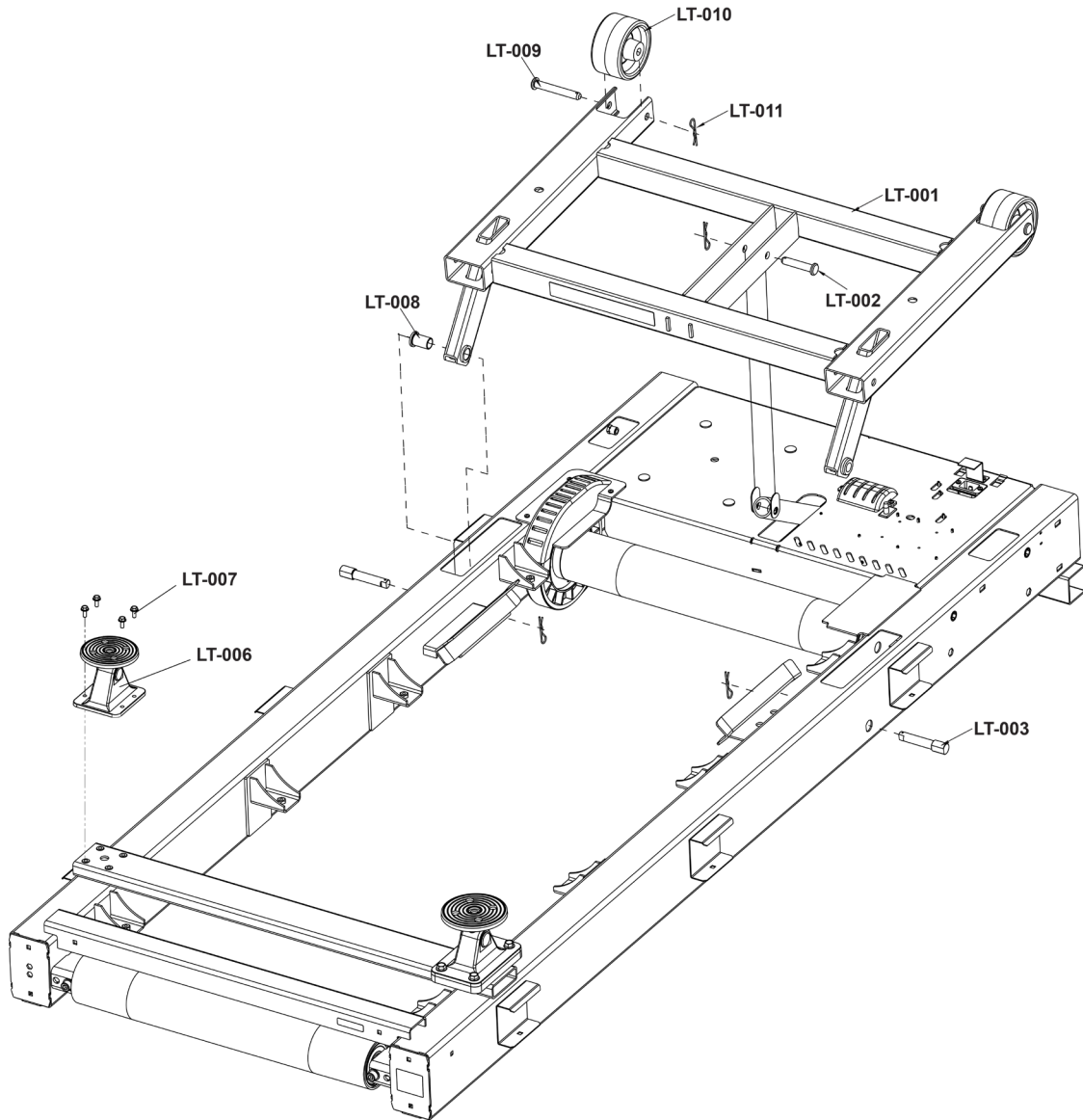


## Parts List

Item	Alpha Code	Part Number	Description (Quantity)
LF-001		1000846-0700	FRAME: LIFT; PAINTED
LF-002		1002162-0001	PIN: M12 CLEVIS (3)
LF-003		1001396-0001	BEARING: FLG SLV (2)
LF-004		1000840-0000	SHAFT: LIFT FRAME PIVOT (2)
LF-005		1001387-0001	WHEEL: LIFT FRAME (2)
LF-006		1004469-0001	PIN: COTTER (3)
LF-007		1001956-0001	LEVELER: BASE FRAME (2)
LF-008		1003534-0001	NUT: M12-1.75 (2)
LF-009	HHT, CHT, PHT, PHS, OTF, HTT, HHS, HTW, ETS, TIC, TIB, CHS	1005249-0001	SCREW: M6X1X16 DIN UNS HXW SERRATED CS ST ZB (8)
LF-010		1002793-0001	PLATE: LEVELER MTG.(2)
LF-011		0017-00009-1259	INSERT: M6; THREADED (8)
LF-012		1004354-0001	BRACKET: CABLE SUPPORT
LF-013		0017-00101-1968	M4 X 10 DIN PHL PAN TT ST ZN (7)
LF-014		0017-00032-0195	SWITCH: MOMENTARY ACTION
LF-015		1003252-0001	COVER: ACTUATOR, BOTTOM
LF-016		1002721-0001	COVER: PULLEY, ROLLER
LF-017		1001392-0001	WASHER: EZ GRIP (2)
LF-018		0017-00007-0208	PIN: COTTER (2)

# Lift Frame, Leg Levelers and Wheels

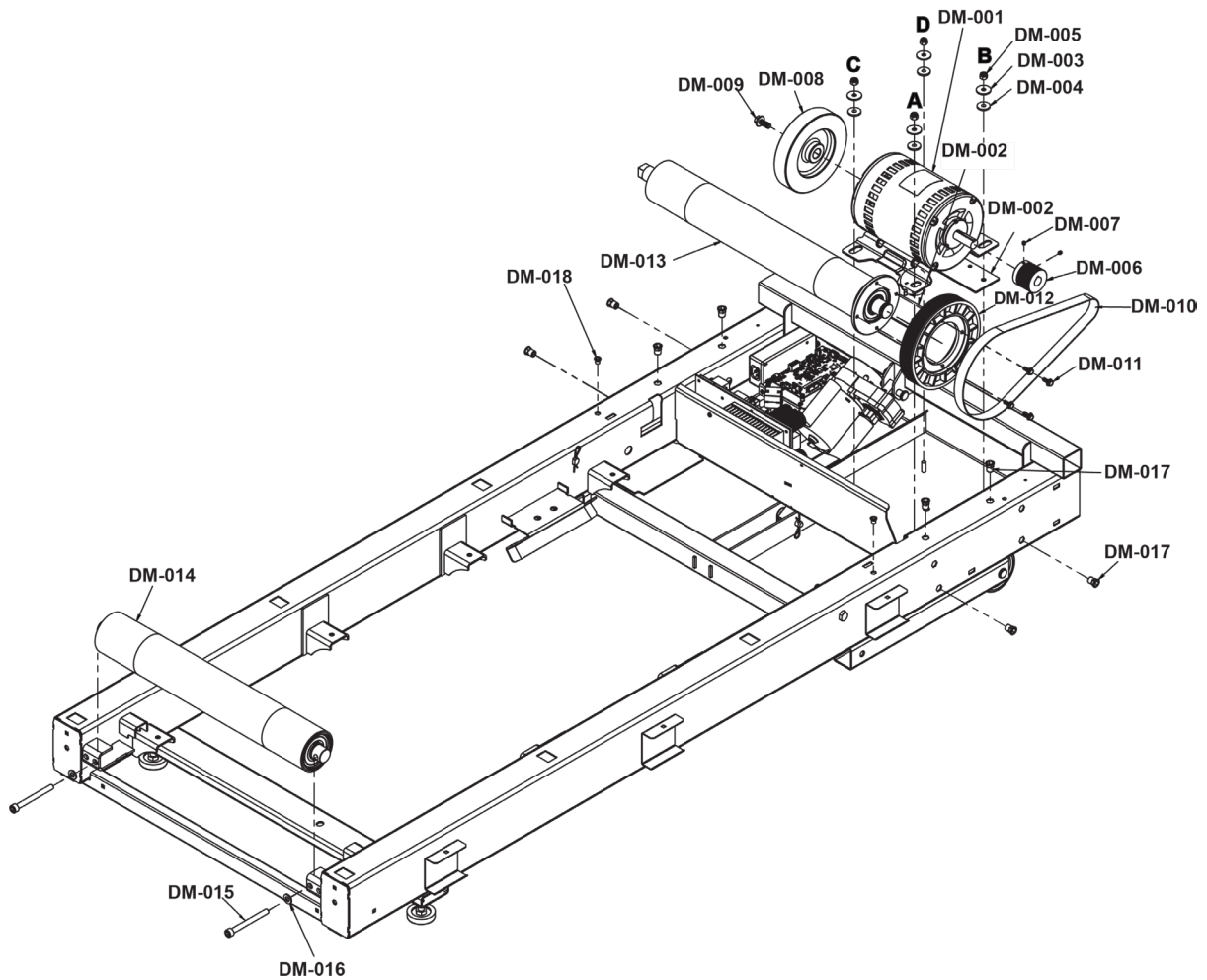
(INTS-ALLLX-02PF, INTS-ALLLX-03PF, INTSE-ALLLX-03PF)



## Parts List

Item	Alpha Code	Part Number	Description (Quantity)
LT-001		1008251-0701	FRAME; LIFT, PLANET
LT-002		1002162-0001	PIN: M12 CLEVIS
LT-003		1000840-0000	SHAFT: LIFT FRAME PIVOT (2)
LT-006		1010930-0001	ASSY: LEVELER (2)
LT-007	PHT, PHS	1005249-0001	SCREW: M6 X 1 X16 DIN HXW CS ST ZB(8)
LT-008		1001396-0001	BEARING: FLG SLV (2)
LT-009		1008284-0001	PIN: M12, CLEVIS (2)
LT-010		1008183-0001	WHEEL: LIFT (2)
LT-011		1004469-0001	PIN: COTTER (5)

# Drive Motor, Pulley and Rollers

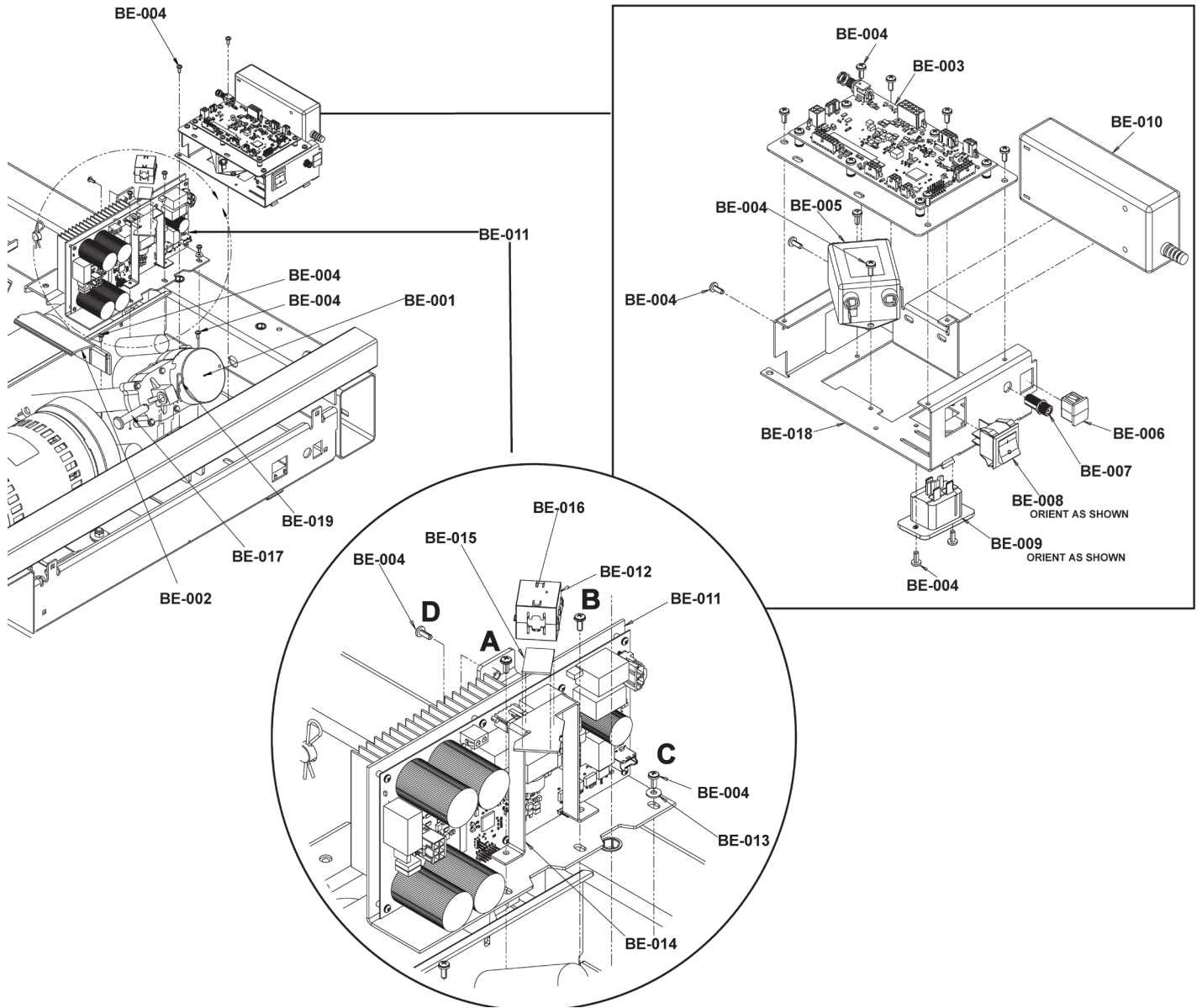


## Parts List

Item	Alpha Code	Part Number	Description (Quantity)
DM-001		1002167-0000	MOTOR: AC; 4HP; INDUCTION
DM-002		0K58-01256-0001	PAD: INSULATING (2)
DM-003		0017-00104-0409	WASHER 327-1125-090 FL-D ST BZ B (4)
DM-004		0K58-01255-0000	WASHER: INSULATING (4)
DM-005		0017-00103-0333	NUT M 8X1.25-6H6H DIN L LOCKNUT ST ZN B (4)
DM-006		1001483-0001	PULLEY: DRIVE
DM-007		1009209-0001	SCREW: M6-1.0 X 8 CONE POINT SET SCREW (2)
DM-008		0K65-01221-0000	FLYWHEEL: CAST IRON; WITH INTEGRAL FAN
DM-009	HHT, CHT, PHT, PHS, OTF, HTT, ETW,	1005547-0001	M10 X 1.50 6G6H X 25 UNS FLG CS ST ZB W/PATCH
DM-010	HHS, HTW, ETS, TIC, TIB, CHS	1004417-0001	BELT: DRIVE
DM-011		1005249-0001	SCREW: M6X1X16 DIN UNS HWX SERRATED CS ST ZB (4)
DM-012		1002171-0001	PULLEY: ROLLER
DM-013		1000841-0002	ASSEMBLY: FRONT ROLLER, 3.5"
DM-014		1001382-0002	ROLLER: REAR, 3.5" DIA
DM-015		1009113-0001	SCREW: M10-1.5X100 SHCS (2)
DM-016		0017-00104-0470	WASHER: M 10.50X 20.00X 2.00 DIN D FLAT ST ZB B (2)
DM-017		0017-00009-1191	INSERT: METRIC; M8; HALF-HEX SHANK
DM-018		0017-00009-1259	INSERT: M6; THREADED

# Base Frame Electronics

Parts listed on following page.

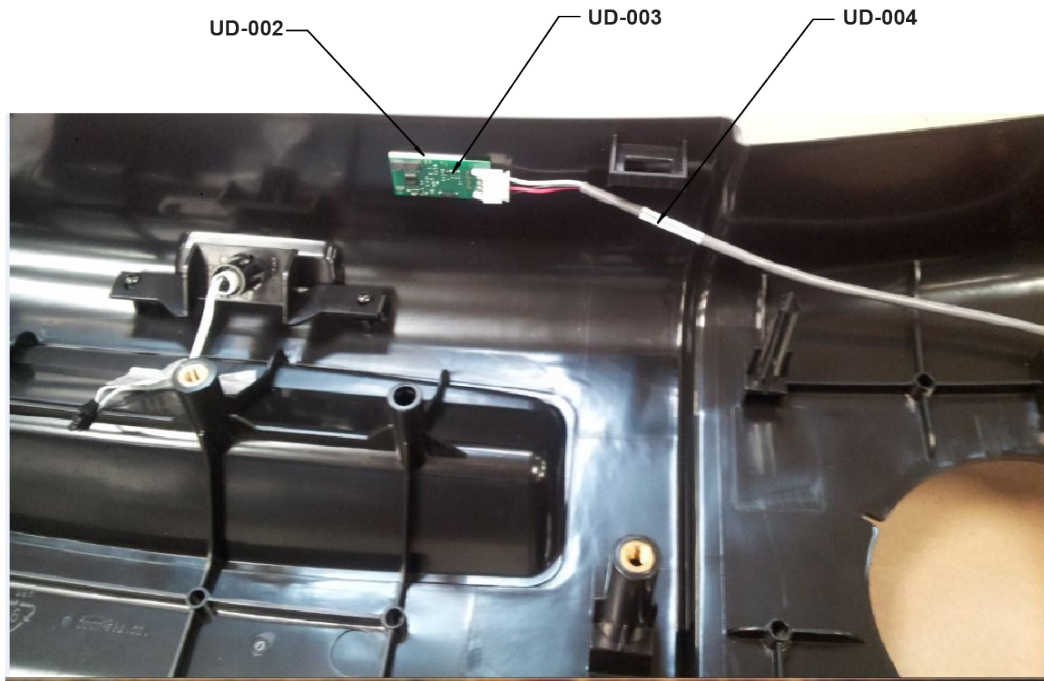
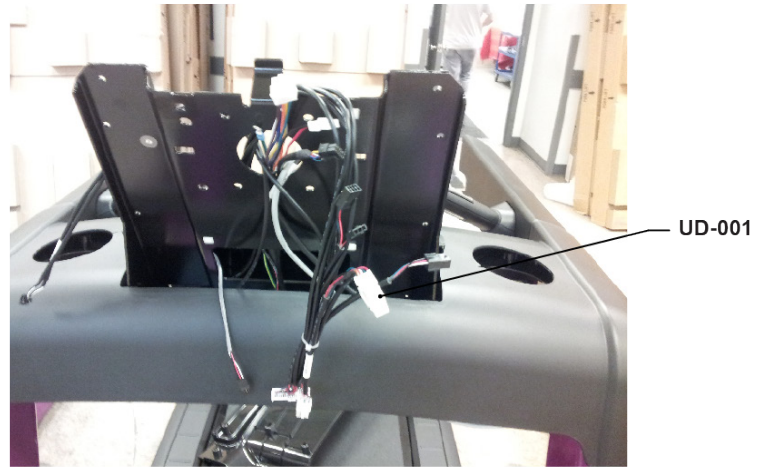


# Base Frame Electronics

## Parts List

Item	Alpha Code	Part Number	Description (Quantity)
BE-001	HHT, CHT, PHT, PHS, OTF, HTT, ETW, HHS, HTW, ETS, TIC, TIB, CHS	1001013-0001	ACTUATOR: LINEAR, 115V
		1001013-0002	ACTUATOR: LINEAR, 230V
	PHT	1001013-0003	ACTUATOR: LINEAR, 115V
BE-002	HHT, CHT, PHT, PHS, OTF, HTT, ETW, HHS, HTW, ETS, TIC, TIB, CHS	1003261-0001	COVER: ACTUATOR TOP
BE-003	HHT, CHT, PHT, PHS, OTF, HTT, ETW, HHS, HTW, ETS, TIC, TIB, CHS	1004381-0001	ASSEMBLY: SIB PCB ASSY
BE-004	HHT, CHT, PHT, PHS, OTF, HTT, ETW, HHS, HTW, ETS, TIC, TIB, CHS	0017-00101-1968	M4 X 10 DIN PHL PAN TT ST ZN (20)
BE-005	HHT, CHT, PHT, PHS, OTF, HTT, ETW, HHS, HTW, ETS, TIC, TIB, CHS	0017-00003-1015	FILTER: LINE; 20A
	HHT, CHT, OTF, ETW, HHS, HTW, ETS, TIC, TIB,	0017-00003-0898	FILTER: LINE; 10-AMP
BE-006	HHT, CHT, OTF, HHS, PHT, PHS, TIC, TIB	1004601-0001	PLUG: RJ45 RECEPTACLE
	HTT, ETW, HTW, ETS, TIB, TIC, CHS, CHT	0017-00021-3195	COUPLER: RJ-45, SHIELDED, 8 POS, CAT5E, PANEL MOUNT
BE-007	HHT, CHT, PHS, HTT, HHS, ETW, HTW, ETS, TIC, TIB, CHS	0017-00021-2846	CONN FTYPE PNL F01S RD GP F
	PHT, OTF	1008900-0001	PLUG: COAX
BE-008	HHT, CHT, PHT, PHS, OTF, HTT, ETW, HHS, HTW, ETS, TIC, TIB, CHS	0017-00032-0198	SWITCH: ROCKER; 22A DPST
BE-009	HHT, CHT, PHT, PHS, OTF, HTT, ETW, HHS, HTW, ETS, TIC, TIB, CHS	0017-00003-0949	RECEPTACLE: IEC; SIDE-FLANGE
BE-010	HHT, CHT, OTF, HHS, TIC, TIB, CHS	1001517-0002	POWER SUPPLY, 12VDC, 3A
	PHT, PHS, OTF, HTT, ETW, HTW, ETS, TIB, CHS, CHT, TIC, HHT	1004808-0001	POWER SUPPLY, 100-240VAC TO 24VDC, 5A, 2.5MM PLUG
BE-011	HHT, CHT, PHT, PHS, OTF, HTT, ETW, HHS, HTW, ETS, TIC, TIB, CHS	1003844-0001	PC BOARD ASSY: HERCULES MDB
BE-012	HHT, CHT, PHT, PHS, OTF, HTT, ETW, HHS, HTW, ETS, TIC, TIB, CHS	121E-00001-0010	FERRITE - BEAD: SUPPRESSION
BE-013	HHT, CHT, PHT, PHS, OTF, HTT, ETW, HHS, HTW, ETS, TIC, TIB, CHS	1005472-0001	WASHER: M4.4 X 11 X 1 ST ZN (3)
BE-014	HHT, CHT, PHT, PHS, OTF, HTT, ETW, HHS, HTW, ETS, TIC, TIB, CHS	1006254-0001	BRACKET: FERRITE: SUPPRESSION
BE-015	HHT, CHT, PHT, PHS, OTF, HTT, ETW, HHS, HTW, ETS, TIC, TIB, CHS	0017-00081-0346	TAPE: ADHESIVE; DOUBLE-SIDED
BE-016	HHT, CHT, PHT, PHS, OTF, HTT, ETW, HHS, HTW, ETS, TIC, TIB, CHS	0017-00042-0772	CABLE TIE
BE-017	HHT, CHT, PHT, PHS, OTF, HTT, ETW, HHS, HTW, ETS, TIC, TIB, CHS	1012811-0001	PIN: M12 CLEVIS (1)
BE-018	HHT, CHT, PHT, PHS, OTF, HTT, ETW, HHS, HTW, ETS, TIC, TIB, CHS	1003724-0001	BRACKET: ELECTRICAL MTG.
BE-019	HHT, CHT, PHT, OTF, HTT, ETW, HHS, HTW, ETS, TIC, TIB, CHS	1004469-0001	PIN: COTTER

# Upper Shroud Electronics - Discover Console



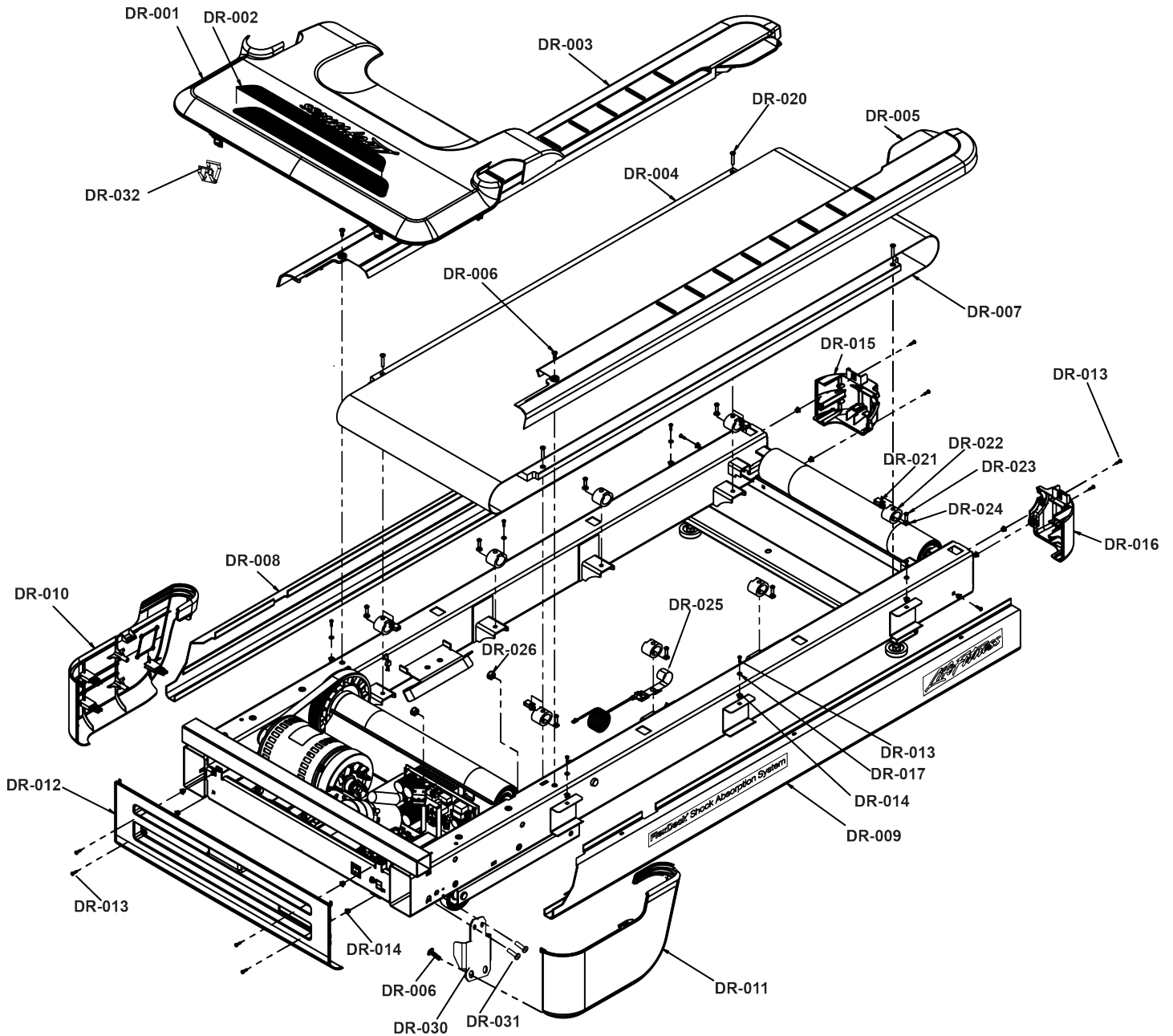
## Parts List

Item	Alpha Code	Part Number	Description (Quantity)
UD-001		1006221-0001	DISCOVER TO HERCULES ADAPTOR CABLE
UD-002	PHJ, HXU, TIB, CHY, ETB, CHT, TIC, HHT	0K39-01044-0001	TAPE: ADHESIVE
UD-003		118E-00001-0244	HEART RATE RECEIVER
UD-004		AK65-00117-0000	CABLE ASSY: CODED POLAR TO TREAD MIB EXTENSION

# Deck, Rails and End Caps -

ETW, HHS, HTW, HHT, CHT, HTT, ETS, TIC, TIB, PHT, PHS, PHK, CHS, CHY, ETB, HHK, CHZ, PHJ, HXU

Parts listed on following page.



# Deck, Rails and End Caps -

ETW, HHS, HTW, HHT, CHT, HTT, ETS, TIC, TIB, PHT, PHS, PHK, CHS, CHY, ETB, HHK, CHZ, PHJ, HXU

## Parts List

Item	Alpha Code	Part Number	Description (Quantity)
DR-001	ETW, HHS, HTW, HHT, CHT, HTT, ETS, TIC, TIB	1001805-2400	SHROUD ASSY: MOTOR, TOP, CHARCOAL GRAY
	PHT, PHS	1012979-0001	ASSEMBLY: MOTOR SHROUD W / DECAL, TOP, PLANET
	CHS, CHT, TIC	1013627-0001	SHROUD ASSY: MOTOR, TOP, CHARCOAL GRAY
DR-002	HHS, CHT, HTT, TIC, TIB, CHS, HHT	1004595-0001	DECAL: SHROUD VENT
DR-003	HHT, CHT, PHT, PHS, HXU, ETW, HHS, HTW, TIC, TIB, CHY, ETB	1001924-2400	RAIL: TOP UR, CHARCOAL GRAY
DR-004	HHT, CHT, PHT, PHS, HTT, ETW, HHS, HTW, ETS, TIC TIB, CHS	1003817-0002	DECK: WALKING SURFACE, WITH WAX
DR-005	HHT, CHT, PHT, PHS, HXU, ETW, HHS, HTW, TIC, TIB, CHY, ETB	1001923-2400	RAIL: TOP UL, CHARCOAL GREY
DR-006	ETW, HHS, HTW, HHT, CHT, PHT, PHS, HXU, ETS, TIC TIB, CHS, ETB, HHT	0017-00101-2138	M6x1.0x16 DIN PHL PAN MS ST ZB (4)
DR-007	ETW, HHS, HTW, HHT, CHT, PHT, PHS, HTT, ETS, TIC TIB, CHS	0K65-01002-0000	BELT: WALKING 95T
DR-008	HHK, CHZ, HXU, TIC, TIB, CHY, ETB, CHT, HHT	1012990-0001	ASSEMBLY: SIDE RAIL W/ DECAL, UR, ARCTIC SILVER
		1012994-0001	ASSEMBLY: SIDE RAIL W/ DECAL, UR, TITANIUM
		1012988-0001	ASSEMBLY: SIDE RAIL W/ DECAL, UR, SIMPLE
		1012992-0001	ASSEMBLY: SIDE RAIL W DECAL, UR, PEARL WHITE
		1012996-0001	ASSEMBLY: SIDE RAIL W DECAL, UR, METALLIC BLACK
	PHK, PHS	1012981-0001	ASSEMBLY: SIDE RAIL W/ DECAL, UR, PLANET
DR-009	HHK, CHZ, HXU, TIC, TIB, CHY, ETB, CHT, HHT	1012989-0001	ASSEMBLY: SIDE RAIL W/ DECAL, UL, FEATURED, ARCTIC SILVER
		1012993-0001	ASSEMBLY: SIDE RAIL W/ DECAL, UL, TITANIUM
		1012987-0001	ASSEMBLY: SIDE RAIL, UL, SIMPLE
		1012991-0001	ASSEMBLY: SIDE RAIL W/ DECAL UL, PEARL WHITE
		1012995-0001	ASSEMBLY: SIDE RAIL W/ DECAL UL, METALLIC BLACK
	PHK, PHS	1012980-0001	ASSEMBLY: SIDE RAIL, UL, PLANET
DR-010	HHT, CHT, PHT, PHS, HXU, TIC, TIB, ETB, HHT	1001807-2400	SHROUD ASSY: MOTOR, RIGHT, CHARCOAL GRAY
	CHY, CHT	1013628-0001	SHROUD ASSY: MOTOR, RIGHT CHARCOAL GRAY
DR-011	HHT, CHT, PHT, PHS, HXU, TIC, TIB, ETB, HHT	1001808-2400	SHROUD ASSY: MOTOR, LEFT, CHARCOAL GRAY
	CHY, CHT	1013629-0001	SHROUD ASSY: MOTOR, LEFT, CHARCOAL GRAY
DR-012	HHT, CHT, HXU, TIC, TIB, ETB	1001806-2400	PLASTIC: MOTOR, FRONT, CHARCOAL GRAY
	PHT, PHS	1009217-0001	SHROUD ASSEMBLY: FRONT MOTOR WITH BUMPERS
	CHY, CHT	1013623-0001	PLASTIC: MOTOR, FRONT, CHARCOAL GRAY
DR-013	HHT, CHT, PHK, PHJ, HXU, TIC, TIB, CHY, ETB	0017-00101-1796	M4.2X0.7-6g6g X 19 DIN PHL PAN AB ST ZB B (16)
DR-014	ETW, HHS, HTW, HHT, CHT, PHK, PHJ, HXU, ETS, TIC, TIB, CHS, ETB, HHT	0017-00042-1147	GROMMET: NYLON; SCREW B (16)

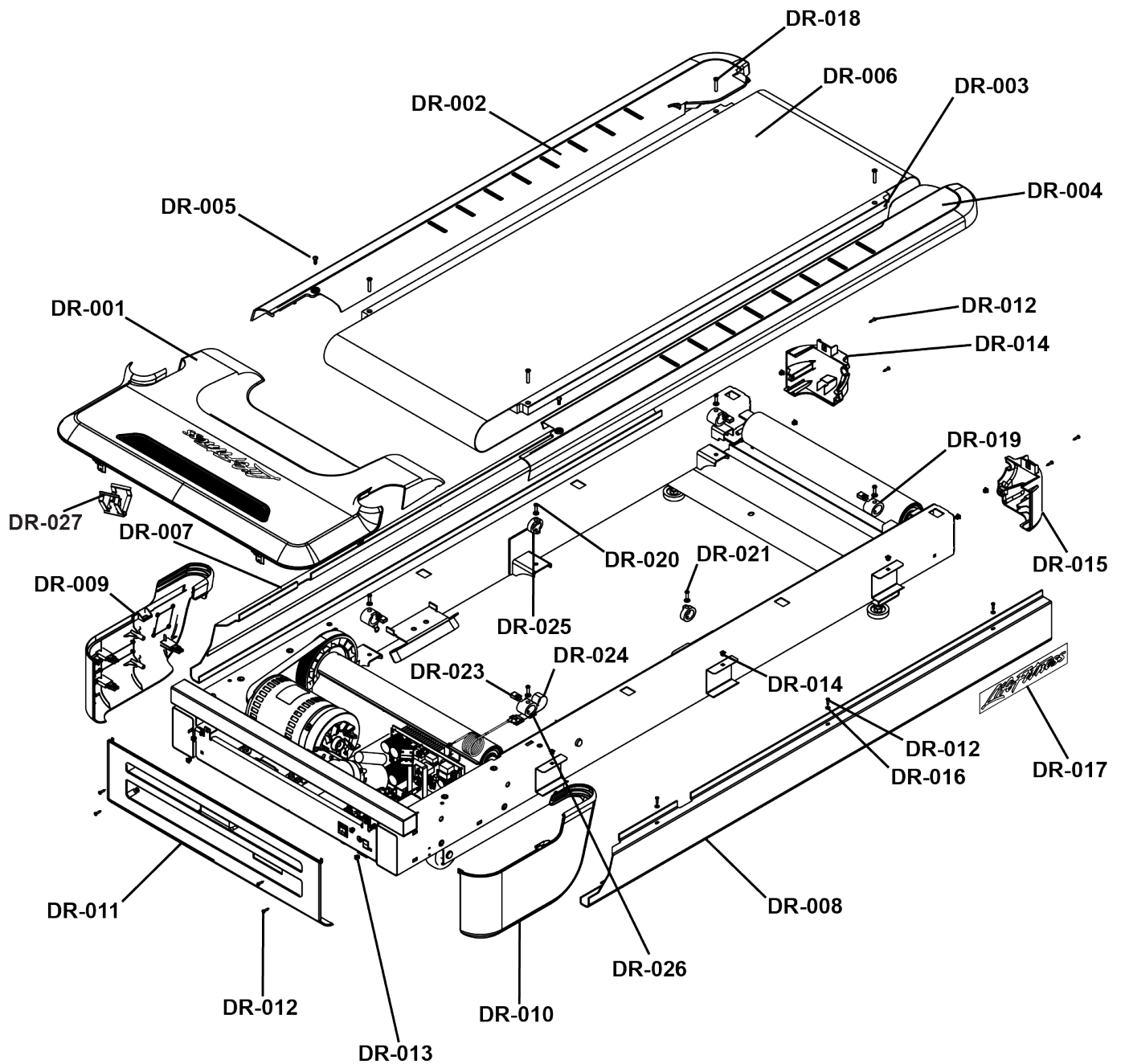
# Deck, Rails and End Caps -

ETW, HHS, HTW, HHT, CHT, HTT, ETS, TIC, TIB, PHT, PHS, PHK, CHS, CHY, ETB, HHK, CHZ, PHJ, HXU

## Parts List

Item	Alpha Code	Part Number	Description (Quantity)
DR-015	HHK, CHZ, HXU, TIC, TIB, CHY, ETB, CHT, HHT	1001928-0100	ENDCAP: UR, FEATURED, ARCTIC SILVER
		1001928-2200	ENDCAP: UR, FEATURED, TITANIUM
		1001927-2400	ENDCAP: UR, SIMPLE, CHARCOAL GRAY
		1001928-2300	ENDCAP: UR, FEATURED, METALLIC BLACK
	PHK, PHJ	1001928-0800	ENDCAP: UR, FEATURED, PURPLE
DR-016	HHK, CHZ, HXU, TIC, TIB, CHY, ETB, CHT, HHT	1001926-0100	ENDCAP: UL, FEATURED, ARCTIC SILVER
		1001926-2200	ENDCAP: UL, FEATURED, TITANIUM
		1001925-2400	ENDCAP: UL, SIMPLE, CHARCOAL GRAY
		1001926-2300	ENDCAP: UL, FEATURED, METALLIC BLACK,
	PHK, PHJ	1001926-0800	ENDCAP: UL, FEATURED, PURPLE
DR-017	ETW, HHS, HTW, HHT, CHT, PHT, PHS, HXU, TIC, TIB, CHS, CHY, ETB, HHT	1005472-0001	WASHER: M4.4 X 11 X 1 ST ZN (6)
DR-020	ETW, HHS, HTW, HHT, CHT, PHT, PHS, HTT, ETS, TIC, TIB, CHS, HHT	1000722-0001	SCREW: FSHCS; M6 X 1.0 X 35 (4)
DR-021	HHT, CHT, PHT, PHS, HTT, ETS, TIC, TIB, CHS	1001124-0001	NUT: U CLIP; M6 (4)
DR-022	ETW, HHS, HTW, HHT, CHT, PHT, PHS, HTT, ETS, TIC, TIB, CHS	0K40-01026-0002	SPRING: TECSPAK, BLACK S/C-B (8)
DR-023	ETW, HHS, HTW, HHT, CHT, PHT, PHS, HTT, ETS, TIC, TIB, CHS	1005212-0001	M6 x 1 x 20 HEX BUT CS ST ZB (8)
DR-024	ETW, HHS, HTW, HHT, CHT, PHT, PHS, HTT, ETS, TIC, TIB, CHS	0017-00104-0072	WASHER: 255-.562-046 FL-D ST ZN B (8)
DR-025	HHS, HTW, HHT, CHT, PHT, PHS, HTT, TIC, TIB, CHS	AK58-00560-0000	STRIDE-SENSOR ASSY: PURCHASED
DR-026	HHS, HTW, HHT, CHT, PHT, PHS, HTT, TIC, TIB, CHS	0017-00042-0869	BUSHING: HOLE (2)
DR-030	HHT, CHT, PHT, PHS, HTT, ETW, HHS, HTW, ETS, TIC, TIB, CHS	1010591-0001	SIDE SHROUD SUPPORT BRKT (2)
DR-031	HHT, CHT, PHT, PHS, HTT, ETW, HHS, HTW, ETS, TIC, TIB, CHS, CHY	0017-00101-1986	M5 x .8 x 16 PAN, TT, ST (4)
DR-032	HHT, CHT, PHT, PHS, HTT, ETW, HHS, HTW, ETS, TIC, TIB, CHS, CHY	1002263-0001	CLIP, SPRINGS (4)

# Deck, Rails and End Caps - OTF, OTH



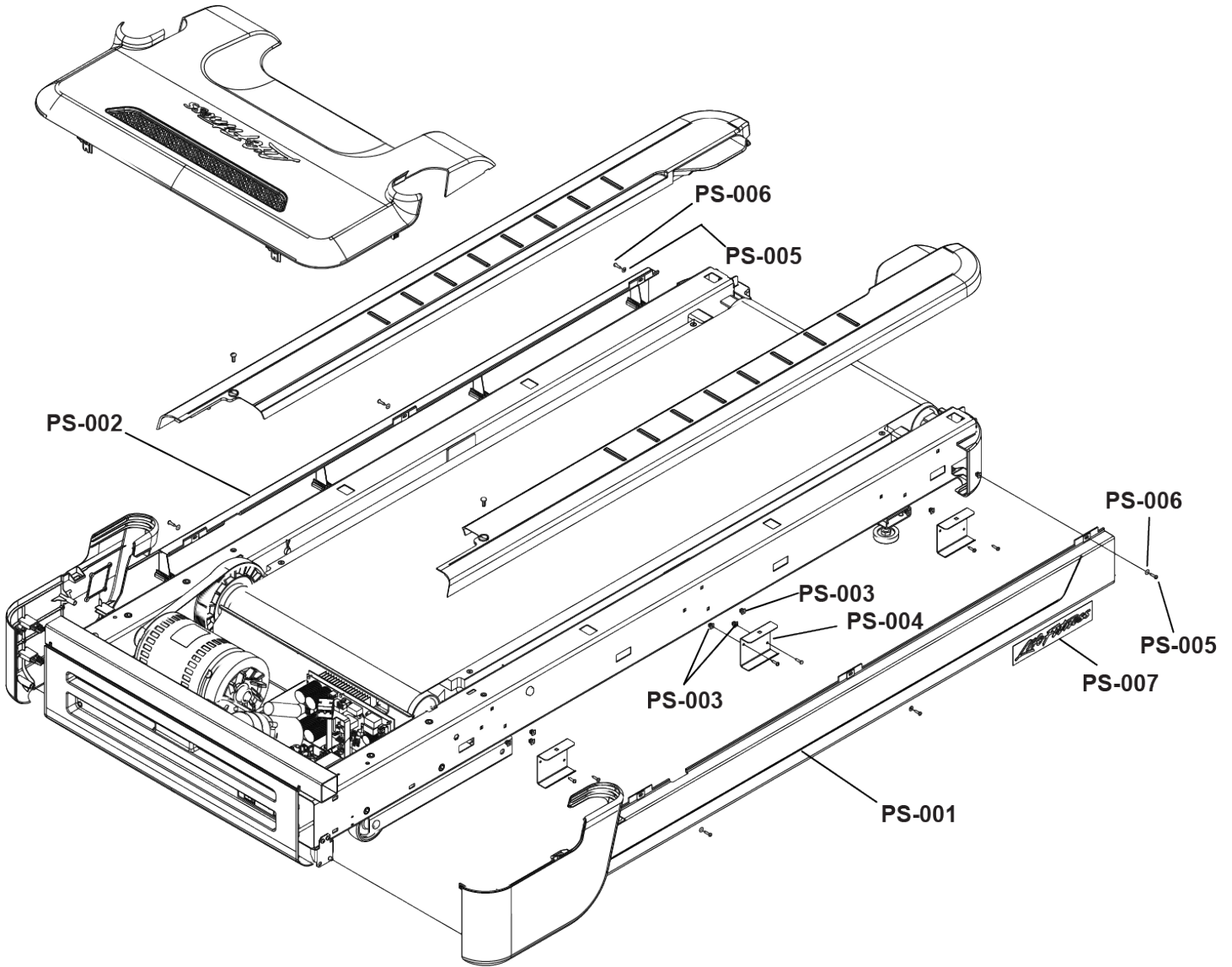
## Parts List

Item	Alpha Code	Part Number	Description (Quantity)
DR-001	OTF	1001805-2400	SHROUD ASSY: MOTOR, TOP, CHARCOAL GRAY
DR-002	OTH	1013244-0001	RAIL: TOP UR, CHARCOAL GRAY
DR-003	OTF	1010175-0001	DECK: WALKING SURFACE, WITH WAX
DR-004	OTH	1013243-0001	RAIL: TOP UL, CHARCOAL GREY
DR-005	OTH	0017-00101-2138	M6x1.0x16 DIN PHL PAN MS ST ZB (2)
DR-006	OTF	0K65-01002-0000	BELT: WALKING 95T
DR-007	OTH	1002274-0102	RAIL: SIDE UR, ARCTIC SILVER
		1002274-2202	RAIL: SIDE UR, TITANIUM
		1002272-2402	RAIL: SIDE UR, SIMPLE
		1002274-2301	RAIL: SIDE UR, METALLIC BLACK

# Deck, Rails and End Caps

Item	Alpha Code	Part Number	Description (Quantity)
DR-008	OTH	1002274-0101	RAIL: SIDE UL, FEATURED, ARCTIC SILVER
		1002274-2201	RAIL: SIDE UL, TITANIUM
		1002272-2401	RAIL: SIDE UL, SIMPLE
		1002274-2302	RAIL: SIDE UL, METALLIC BLACK
DR-009		1001807-2400	SHROUD ASSY: MOTOR, RIGHT, CHARCOAL GRAY
DR-010		1001808-2400	SHROUD ASSY: MOTOR, LEFT, CHARCOAL GRAY
DR-011		1001806-2400	PLASTIC: MOTOR, FRONT, CHARCOAL GRAY
DR-012		0017-00101-1796	M4.2X0.7-6g6g X 19 DIN PHL PAN AB ST ZB B (16)
DR-013		0017-00042-1147	GROMMET: NYLON; SCREW B (16)
DR-045		1001928-0100	ENDCAP: UR, FEATURED, ARCTIC SILVER
		1001928-2200	ENDCAP: UR, FEATURED, TITANIUM
		1001927-2400	ENDCAP: UR, SIMPLE, CHARCOAL GRAY
DR-015		1001928-0100	ENDCAP: UL, FEATURED, ARCTIC SILVER
		1001926-2200	ENDCAP: UL, FEATURED, TITANIUM
		1001925-2400	ENDCAP: UL, SIMPLE, CHARCOAL GRAY
DR-016		1005472-0001	WASHER: M4.4 X 11 X 1 ST ZN (6)
DR-017		1005556-0001	LABEL: LF LOGO, SILVER
		1005556-0002	LABEL: LF LOGO, DK GRAY
DR-018		1010058-0001	SCREW: 1/4 - 20 X 24 HXS FLT LCSSTZB (4)
DR-019		0K40-01026-0002	SPRING: TECSPAK, BLACK S/C-B (2)
DR-020		1005212-0001	M6 x 1 x 20 HEX BUT CS ST ZB (8)
DR-021		0017-00104-0072	WASHER: 255-.562-046 FL-D ST ZN B (8)
DR-022		0017-00042-0869	BUSHING: HOLE (2)
DR-023		0017-00103-0198	NUT: 1/4-20, TINNERMAN (4)
DR-024		1009280-0001	SENSOR: STRIDE
DR-025		1010012-0001	SPRING: TECSPAK (2)
DR-026		0K40-01026-0003	SPRING: TECSPAK (2)
DR-027	OTF	1002263-0001	CLIP, SPRING (4)

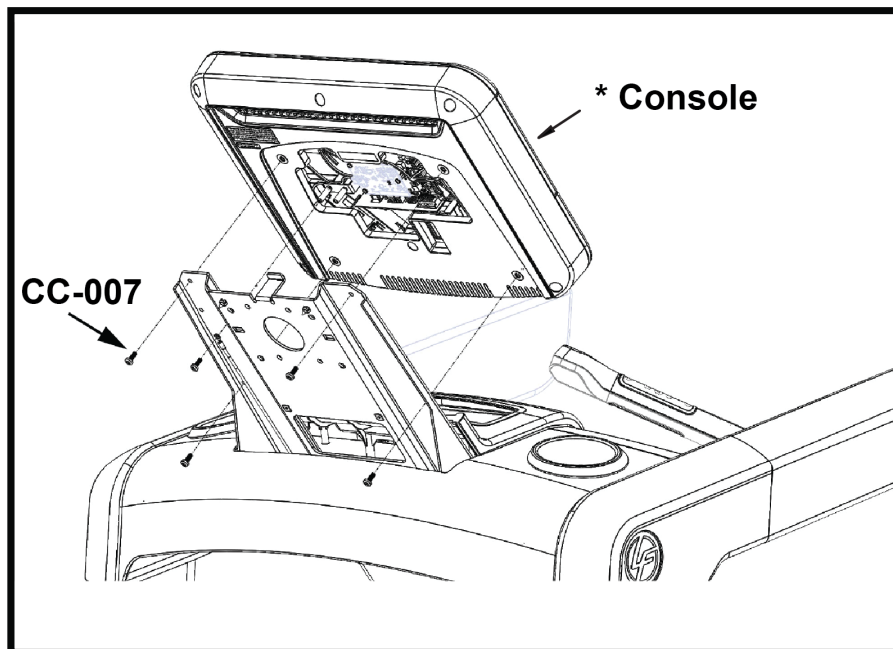
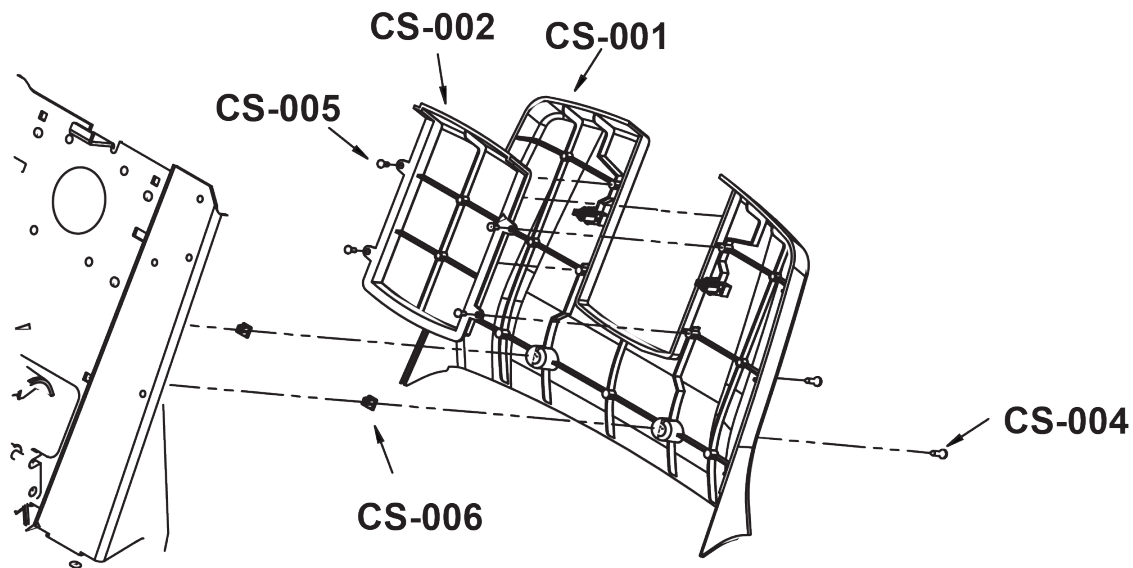
# Mounting Plastic Rail Shrouds - OTF, OTH



## Parts List

Item	Alpha Code	Part Number	Description (Quantity)
PS-001		1015389-0001	RAIL: SIDE, USER, LEFT, SIMPLE
PS-002		1016435-0001	RAIL: SIDE, USER, RIGHT, SIMPLE
PS-003		0017-00042-1147	GROMMET: SCREW, 8 OR 10 (18)
PS-004	OTF, OTH	1018019-0001	BRACKET: SHROUD MTG (6)
PS-005		0017-00101-1796	SCREW: M4.2 X 19, DIN, PHL, PAN, AB, ST, ZB (8)
PS-006		1005472-0001	WASHER: M4.4 X 11 X 1, ST, ZN (6)
PS-007		1017595-0001	LABEL: LF LOGO (2)

# Console - Rear Shrouds



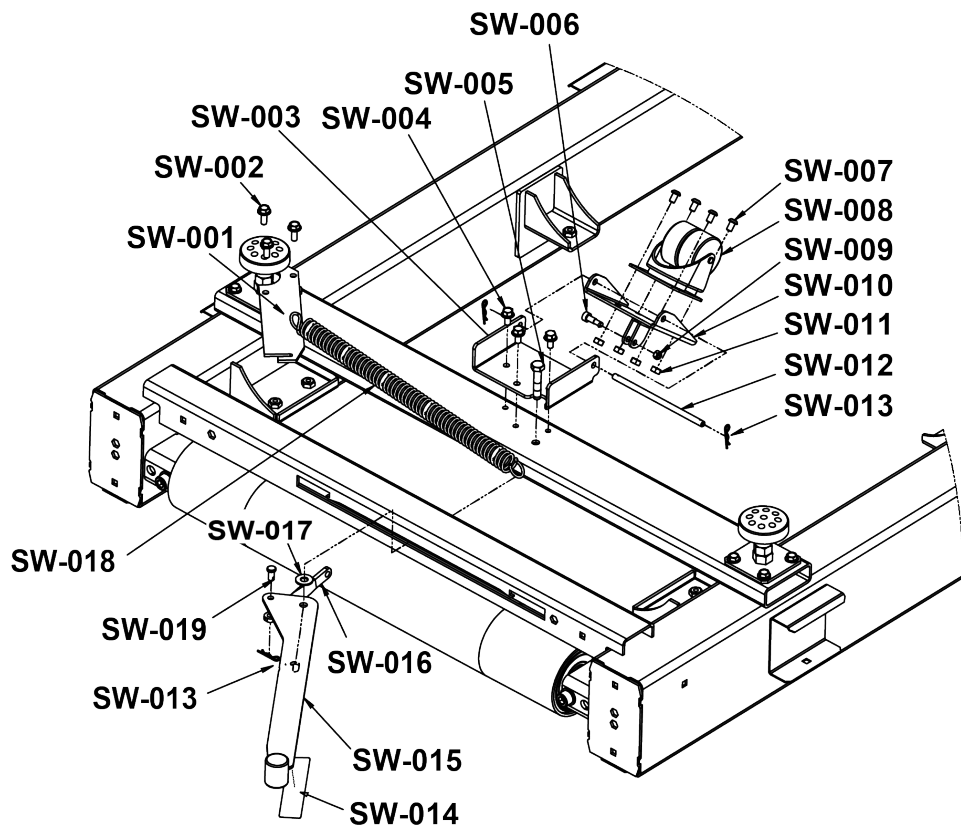
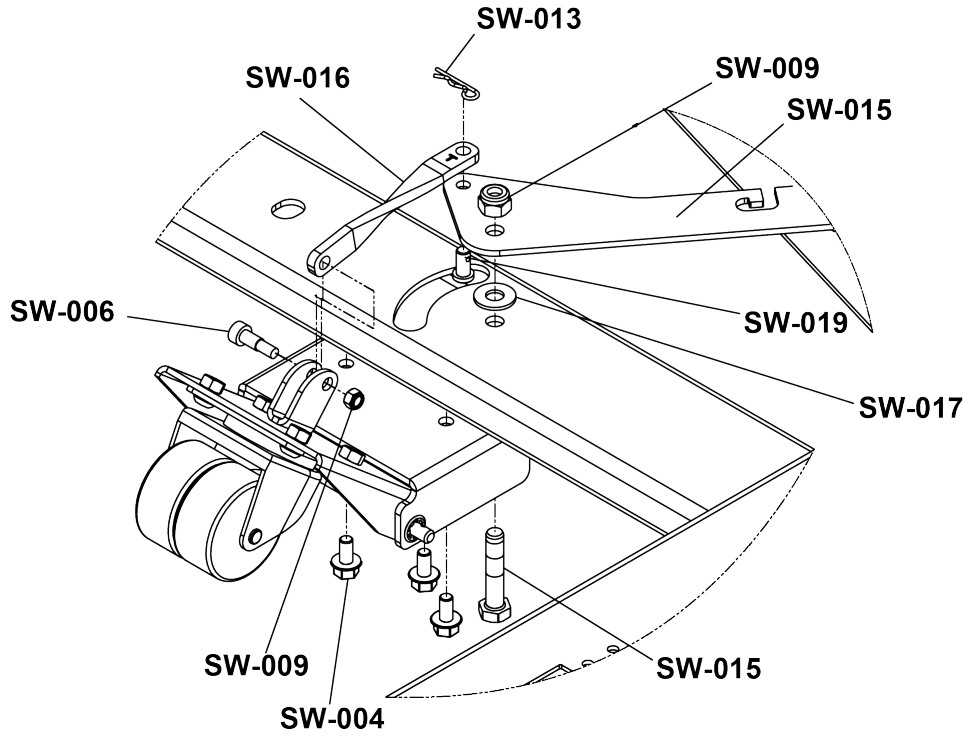
## Parts List

Item	Alpha Code	Part Number	Description (Quantity)
CS-001		1001802-2400	SHROUD: CONSOLE, BACK, CHARCOAL GRAY
CS-002		1012986-0001	ASSEMBLY: SHROUD, CONSOLE BACK COVER W/DECAL
CS-004	HHK, CHZ, PHK, PHJ, OTH, HXU, TIC, TIB, CHY, ETB, CHT, HHT	0017-00101-1796	M4.2 X 19 PHILLIPS PAN HEAD SCREWS (2)
CS-005		0017-00101-1650	6-19X 6 PHL PAN PLT ST BZ (4)
CS-006		0017-00042-1147	GROMMET: NYLON; SCREW (2)
CS-007		0017-00101-1940	M5.0X.8-6G6GX14MM DIN PHS PAN MS ST ZN (5)
CS-008	HHK, CHZ, PHK, PHJ, TIC, TIB, CHY, ETB, CHT, HHT	1004240-0001	CABLE: CONSOLE GROUND (CABLE RUNS FROM CONSOLE TO MOTOR PAN)

\* See appropriate Console Parts Manual for console serial numbers/alpha codes.

# Service Wheel

## TOP SIDE



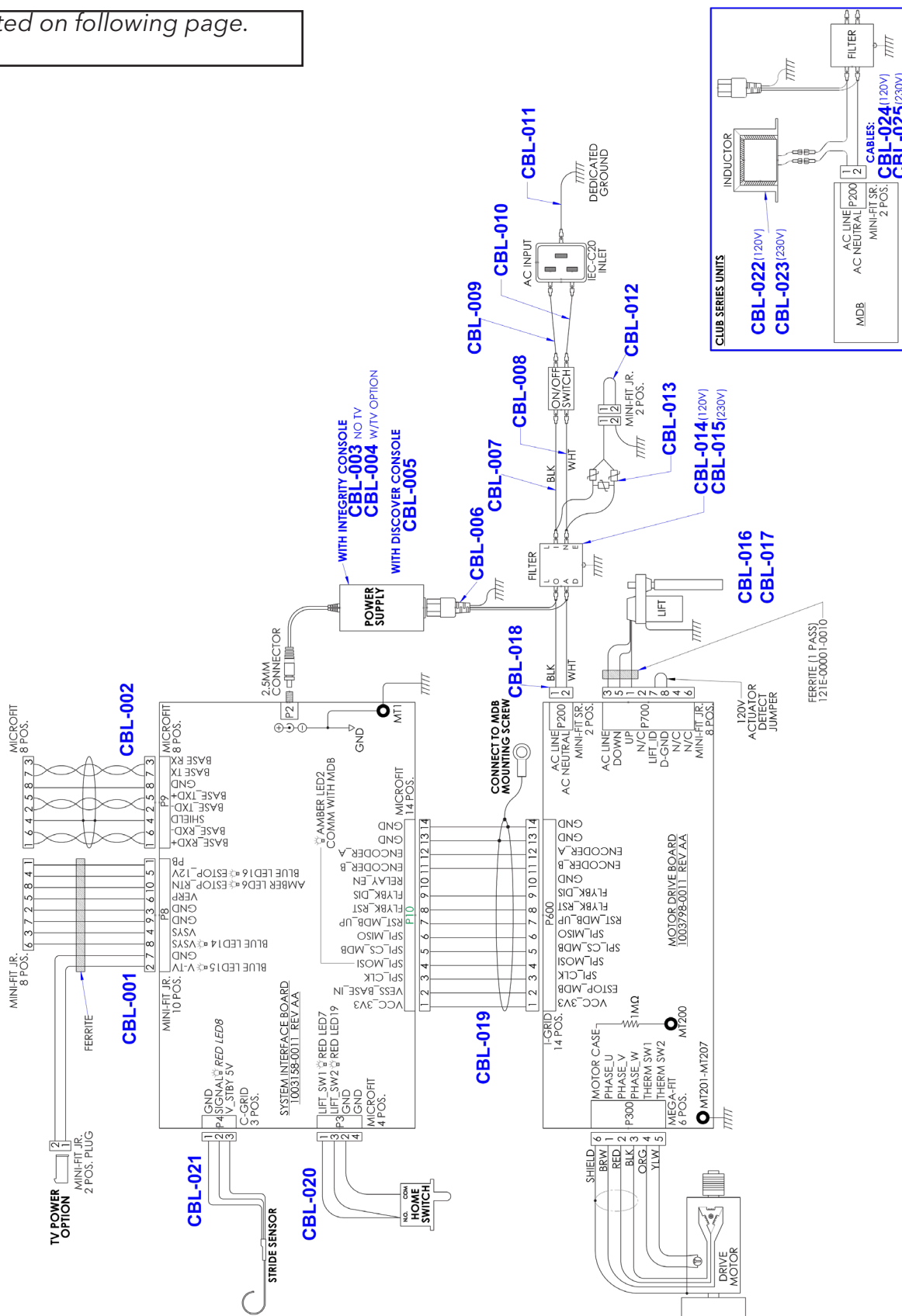
## BOTTOM SIDE

## Parts List

Item	Alpha Code	Part Number	Description (Quantity)
SW-001	ETW, HHS, HTW, TIB, HHT	1008944-0001	BRACKET: SPRING
SW-002		1005249-0001	SCREW: M6 X 1 X 16, DIN, UNS, HXW, SERRATED, CS, ST, ZB (3)
SW-003		1003600-0001	BRACKET: BOTTOM PIVOT, SERVICE WHEEL
SW-004		1009565-0001	BOLT: M6 X 1.0 X 12, TAPTITE (3)
SW-005		0017-00101-1925	M8X1.25-6G-6GX40MM DIN UNS HEX CS G5 ZN
SW-006		1006044-0001	SCREW: M5 X 0.8, 6MM DIA SHOULDER
SW-007		1006331-0001	SCREW: M6-1.0 X 10 HXS BUT CS ST BZ (W/LOCKTITE) (4)
SW-008		CW-25006	CASTOR, SWIVEL, SERVICE WHEEL
SW-009		1006046-0001	NUT: M5 NYLOCK
SW-010		1006042-0001	WELDMENT: WHEEL MOUNT
SW-011		0017-00103-0360	NUT M6 X 1.0 HEX D ST ZS (4)
SW-012		1003609-0001	PIN: PIVOT, SERVICE WHEEL
SW-013		1010579-0001	PIN: COTTER (3)
SW-014		1009126-0001	DECAL: PROTECTIVE, LEVER
SW-015		1003598-0000	WELDMENT: LEVER, SERVICE WHEEL
SW-016		1003613-0001	LINK: TWIST, SERVICE WHEEL
SW-017		0017-00104-0510	WASHER: M8.4 X 19 X 1.6, DIN, FLAT, ST, ZB
SW-018		1009037-0001	SPRING: EXTENSION, 7.75 X 0.875 OD
SW-019		1010578-0001	PIN: 1/4, CLEVIS

# Lower Base Wiring (1 of 2)

Parts listed on following page.



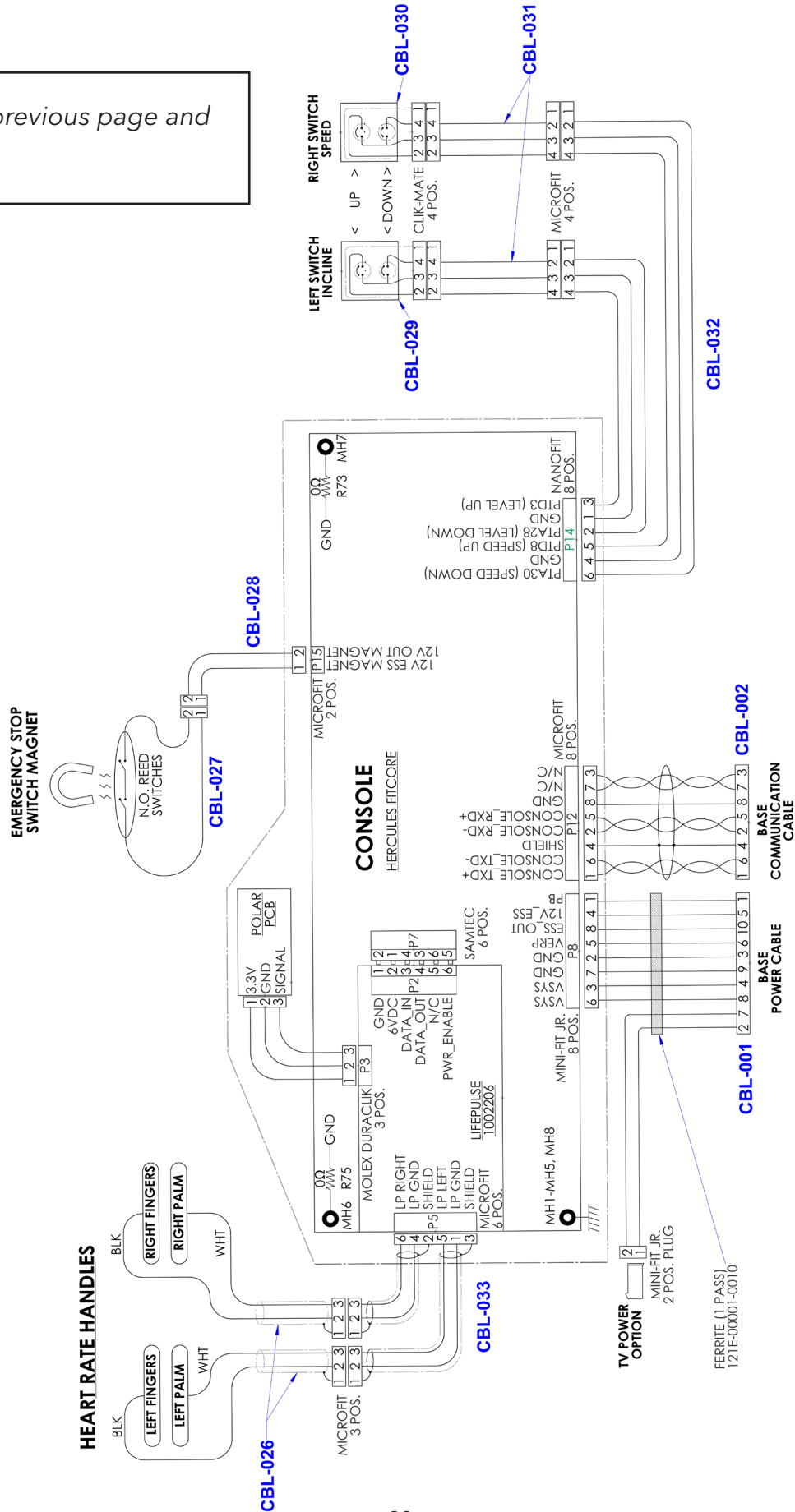
# Lower Base Wiring (2 of 2)

## Parts List

Item	Alpha Code	Part Number	Description (Quantity)
CBL-001	PHK, OTH, HXU, CHZ, HHK, PHS, TIC, TIB, CHY, ETB, CHT, HHT	1002258-0004	CABLE: CONSOLE TO BASE, POWER
CBL-002	HHT, PHK, OTH, HXU, CHZ, HHK, PHS, TIC, TIB, CHY, ETB, CHT	1002239-0004	CABLE: CONSOLE TO BASE, SIGNAL, TREAD
CBL-003	CHT, HHT, HHS, PHT, TIC, TIB	1001517-0002	POWER SUPPLY, 12VDC, 5A
CBL-004		1001517-0002	POWER SUPPLY: 12 VDC, 5A
CBL-005	PHS, OTH, HTT, ETW, HTW, TIB, CHS, CHT, TIC, HHT	1004808-0001	POWER SUPPLY: 100-240VAC TO 24VDC, 5A, 2.5MM PLUG
CBL-006	HHT, CHT, PHT, PHS, OTH, HTT, HHS, ETS, TIC, TIB, CHS	1004563-0001	CABLE: LINE FILTER TO POWER SUPPLY
CBL-007	HHT, CHT, PHT, PHS, OTH, HTT, ETS, TIC, TIB, CHS	1004044-0002	CABLE: SWITCH TO FILTER, BLACK
CBL-008	HHT, CHT, PHT, PHS, OTH, HTT, ETS, TIC, TIB, CHS	1004044-0001	CABLE: SWITCH TO FILTER, WHITE
CBL-009	HHT, CHT, PHT, PHS, OTH, HTT, ETS, TIC, TIB, CHS	1004046-0002	CABLE: POWER INPUT, BLACK
CBL-010	HHT, CHT, PHT, PHS, OTH, HTT, ETS, TIC, TIB, CHS	1004046-0001	CABLE: POWER INPUT, WHITE
CBL-011	HHT, CHZ, PHT, PHS, OTH, HTT, ETS, TIC, TIB, CHS, CHT	1004201-0001	CABLE: GROUND
CBL-012	HHT, CHT, PHT, PHS, OTH, HTT, ETS, TIC, TIB, CHS	AK58-00263-0000	CBL-ASSY: HI-POT JUMPER
CBL-013	HHT, CHT, PHT, PHS, OTH, HTT, ETS, TIC, TIB, CHS	AK58-00224-0001	CBL-ASSY: MOV; FILTER
CBL-014	HHT, CHT, OTH, HTT, ETS, TIC, TIB, CHS	0017-00003-1015	FILTER: LINE; 20A
CBL-015	HHT, CHT, OTH, ETS, TIB, TIC	0017-00003-0898	FILTER: LINE; 10-AMP
CBL-016	HHT, CHT, OTH, HTT, ETS, TIC, TIB, CHS	1001013-0001	ACTUATOR: LINEAR, 115V
	PHT, PHS	1001013-0003	ACTUATOR: LINEAR, 115V
CBL-017	HHT, CHT, OTH, ETS, TIC, TIB,	1001013-0002	ACTUATOR: LINEAR, 230V
CBL-018	HHT, PHT, PHS, OTH, HTT, ETS, TIB,	1004045-0001	CABLE: POWER INPUT
CBL-019	HHT, CHT, PHT, PHS, OTH, HTT, ETS, TIC, TIB, CHS	1004243-0001	CABLE: SIB-MDB
CBL-020	HHT, CHT, PHT, PHS, ETS, TIC, TIB, CHS	AK58-00027-0000	CBL-ASSY: HOME SWITCH
CBL-021	HHT, CHT, TIC, TIB, CHS	AK58-00560-0000	STRIDE-SENSOR ASSY
CBL-022	CHT, TIC, CHS	111E-00001-0041	INDUCTOR: 3MH; 120V
CBL-023	CHT, TIC	111E-00001-0042	INDUCTOR: 15MH; 230V
CBL-024	CHT, TIC, CHS	1006003-0001	CABLE ASSY: POWER, 120V, PCST
CBL-025	CHT, TIC	1006002-0001	CABLE ASSY: POWER, 230V, PCST

# Upper Base with Integrity Console Wiring (1 of 2)

Parts Listed on previous page and following page.



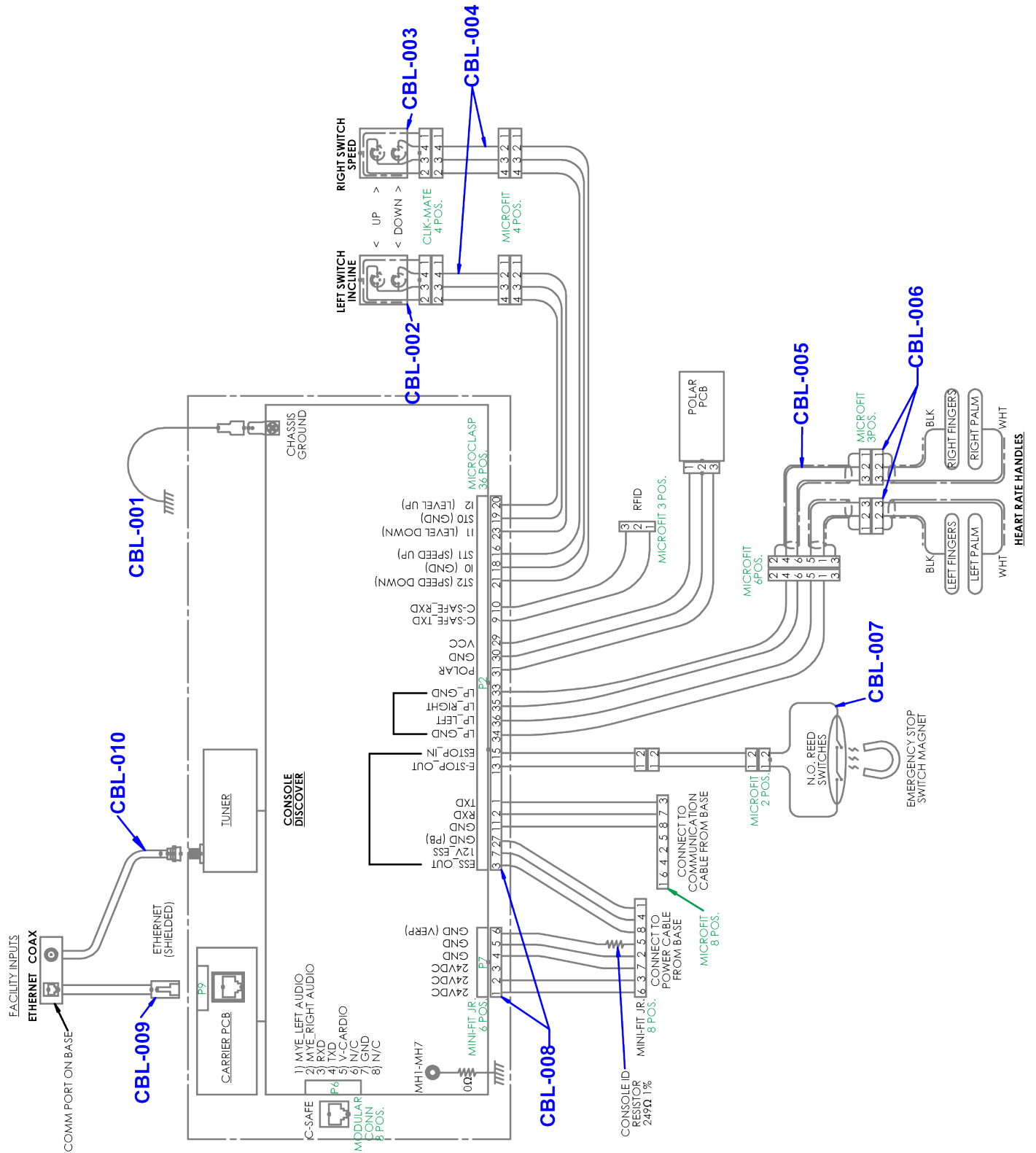
# Upper Base with Integrity Console Wiring (2 of 2)

## Parts List

Item	Alpha Code	Part Number	Description (Quantity)
CBL-026	HHK, CHZ, PHK, PHJ, HXU, TIC, TIB, ETB, CHY, CHT, HHT	1003871-0001	CABLE: LIFE PULSE ELECTRODES, TREAD
CBL-027	HHK, PHK, CHZ, CHT, HXU, TIC, TIB, ETB, CHY, HHT	AK58-00036-0000	CBL-ASSY: EMERGENCY-STOP
CBL-028	HHK, TIB, HHT	1004230-0001	CABLE: E-STOP
CBL-029	HHK, CHZ, CHT, TIC, HHT	1003722-0001	KEYPAD: INCLINE, UP, DOWN
CBL-030	HHK, CHZ, CHT, TIC, HHT	1003723-0001	KEYPAD: SPEED, UP, DOWN
CBL-031	HHK, CHZ, OTH, HXU, TIC, TIB, CHY, CHT, HHT	1003835-0001	CABLE: HERCULES KEYPAD EXTENSION
CBL-032	HHK, CHZ, OTH, TIC, TIB, CHT, HHT	1003823-0001	CABLE: HERCULES CONSOLE TO BASE KEYPADS
CBL-033	HHK, CHZ, PHK, PHJ, HXU, TIC, TIB, ETB, CHY, CHT, HHT	1003838-0001	CABLE: LIFE PULSE TO ELECTRODE, TREAD

# Discover Console Wiring Diagram (1 of 2)

Parts listed on following page.




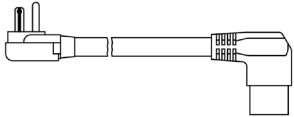





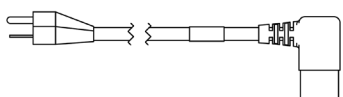

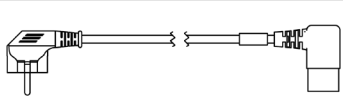

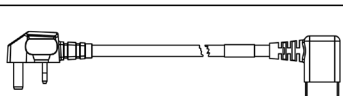
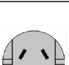
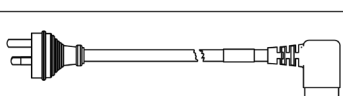

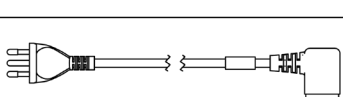
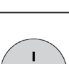
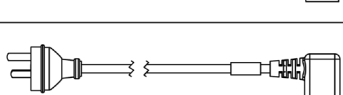

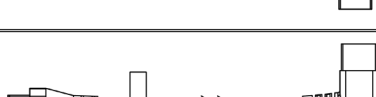
## Discover Console Wiring Diagram (2 of 2)

### Parts List

Item	Alpha Code	Part Number	Description (Quantity)
CBL-001		AK65-00103-0002	CBL ASSY: GROUND, ESD
CBL-002		1008488-0001	KEYPAD: INCLINE, UP, DOWN
CBL-003	HHK, CHZ, TIC, TIB, CHY, CHT, HHT	1008489-0001	KEYPAD: SPEED, UP, DOWN
CBL-004		1003835-0001	CABLE: HERCULES KEYPAD EXTENSION
CBL-005	PHJ, TIC, TIB, CHY, ETB, CHT, HHT	1003838-0001	CABLE: LIFEPULSE TO ELECTRODE, TREAD
CBL-006		1003871-0001	CABLE: LIFEPULSE ELECTRODES, TREAD
CBL-007	HHK, CHZ, TIC, TIB, CHY, ETB, CHT, HHT	AK58-00036-0000	CBL-ASSY: EMERGENCY-STOP
CBL-008	PHJ, OTH, HXU, TIB, TIC, CHY, ETB, CHT, HHT	1006221-0001	CABLE: DISCOVER TO HERCULES ADAPTOR
CBL-009	HTT, HTW, ETS, ETW, TIB, TIC, CHS, CHT, HHT	AK70-00092-0000	CABLE ASSY: CAT5E
CBL-010	CHT, HHT, HTW, HHS, PHT, PHS, ETS, ETW, TIC, TIB, CHS	AK65-00062-0000	CABLE ASSY: COAX, RG6

# Power Cords

Parts listed on following page.

LC-001			96", 244 cm
LC-002			144", 366 cm
LC-003			96", 244 cm
LC-004			102", 260 cm
LC-005			144", 366 cm
LC-006			144", 366 cm
LC-007			144", 366 cm
LC-008			144", 366 cm
LC-009			144", 366 cm
LC-010			144", 366 cm

# Power Cords

---

## Parts List

Item	Alpha Code	Part Number	Description (Quantity)
LC-001		0017-00003-0978	LINE CORD TREADMILL DOM LV 90 96"
LC-002	HHT, HTT, HHK, CHT, PHT, PHK,	0017-00003-0980	LINE CORD TREADMILL DOM LV 90 144"
LC-003	HXU, CHZ, PHS, PHJ, OTF, OTH,	0017-00003-0974	LINE CORD TREAD DOMESTIC LOW VOLTAGE 96" STRAIGHT
LC-004	TIB,	0017-00003-0781	LINE CORD TREAD DOMESTIC HIGH VOLTAGE 102" STRAIGHT
LC-005	HHT, HTT, HHK, CHT, PHT, PHK,	0017-00003-0696	LINE CORD TREADMILL CONT HV 90 144IN
LC-006	HXU, CHZ, PHS, PHJ, OTF, OTH,	0017-00003-0890	LINE CORD TREADMILL UK HV 90 144IN
LC-007	TIC, TIB	0017-00003-0996	LINE CORD TREADMILL AUS HV STRAIGHT 144IN
LC-008	HHT, HTT, HHK, CHT, PHT, PHK,	0017-00003-1054	LINE CORD TREADMILL BR HV STRAIGHT 144IN
	HXU, CHZ, PHS, PHJ, OTF, OTH,		
LC-009	TIC, TIB	0017-00003-1068	LINE CORD TREADMILL ARG HV STRAIGHT 144IN
LC-010	CHS, TIC, CHT	0017-00003-1079	LINE CORD NEMA 5-15P WITH R/A C-19 CONNECTOR

# Compatible Consoles

See related Console Parts Manual for Console Parts List



**DISCOVER ST**



**DISCOVER SE3 HD**



**INTEGRITY C**



**INTEGRITY X**