

15.6 In ATTACHABLE TV-NTSC/ATSC/QAM

ATV15-XXXXA-02

Parts Manual

10/3/2023 4:00:33 AM

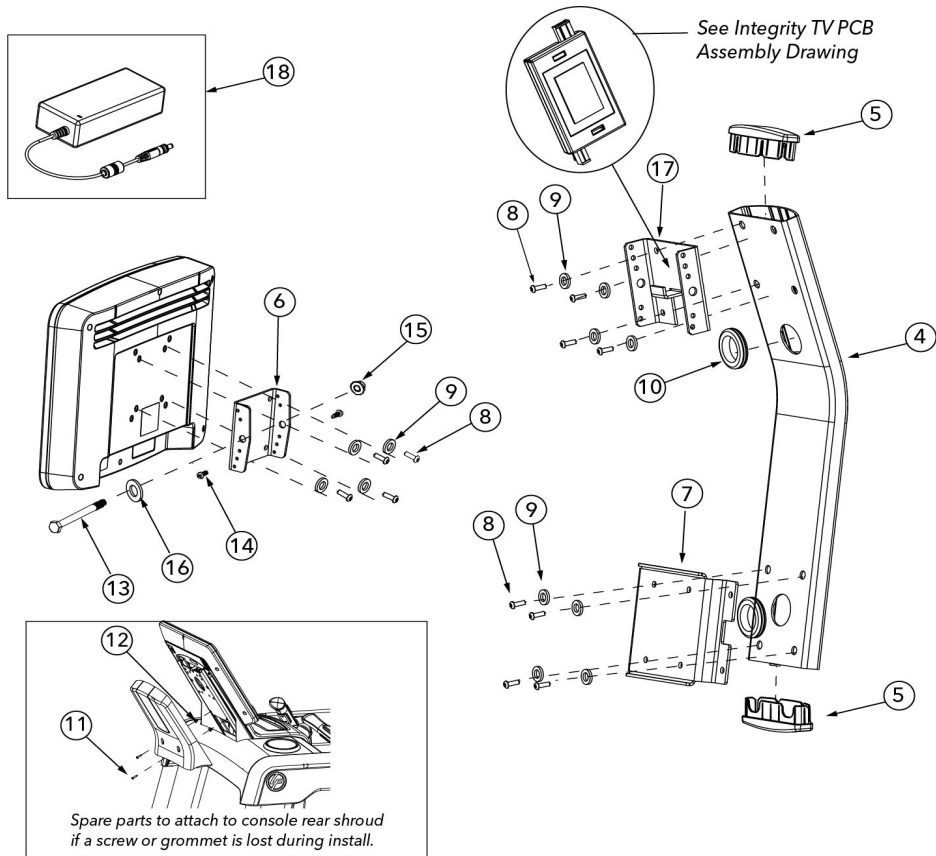


LifeFitness
WHAT WE LIVE FOR

Table of Contents

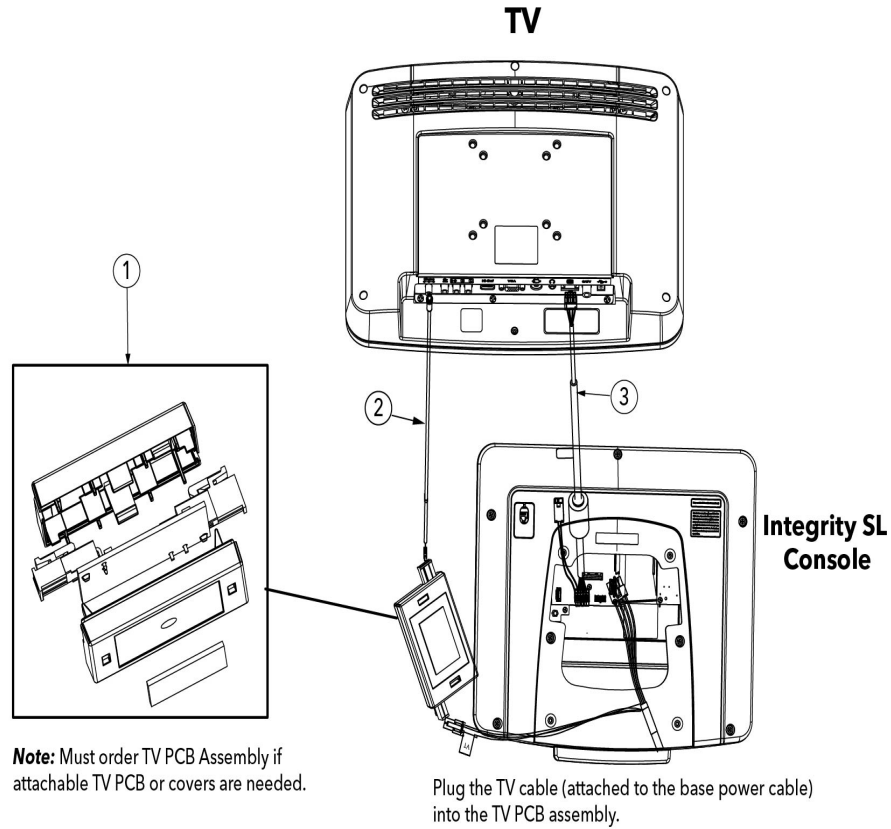
[Integrity TV Mounting Bracket.....](#)3
[Integrity TV PCB Assembly.....](#)4

Integrity TV Mounting Bracket



Ref #	Part Number	Qty	Description
4	AK71-00002-2400	1	ASSEMBLY: EXTRUSION W/INSERTS; CHGR
5	0K71-01004-2400	2	CAP: END; CHGR
6	AK71-00009-2400	1	WELDMENT: LCD HINGE; CHGR
7	0K71-01007-0000	1	BRKT: MOUNT LCD
8	0017-00101-2003	16	M6 x 1.00-6G6G x 014 DIN HXS BUT L CS ST ZB
9	0017-00104-0488	16	WSH: M6.50X 11.5 X 1.75 DIN SL ST BZ
10	0K71-01005-0000	2	GROMMET: LCD ACCESS
11	0017-00101-1796	2	SCREW: M4.2 X 0.7 6G6G X 19, DIN, PHL, PAN, AB, ST, ZB
12	0017-00042-1147	2	GROMMET: SCREW, 8 OR 10
13	0017-00101-1956	1	M010X 1.50-6G6GX 120 DIN HXS HEX CS ST BO
14	0017-00101-1972	2	SCREW: M5 X 0.8 X 14, PHL, PAN, MS, ST, BZ
15	0017-00103-0334	1	NUT: M10 X 1.50-6H6H, DIN, LOCKNUT, ST, ZB
16	0017-00104-0470	1	WASHER: M10.5 X 20 X 2, DIN, DFLAT, ST, ZB
17	0K71-01009-2400	1	PLATE: HINGE LCD MOUNT; CHGR
18	1001517-0002	1	POWER SUPPLY: 12 VDC, 5A

Integrity TV PCB Assembly



Ref #	Part Number	Qty	Description
1	1015815-0000	1	COVER ASSY: ATTCH TV PCB, MCFLY
2	AK92-00070-0000	1	CABLE ASSY, ATTACHABLE TV POWER
3	1006422-0001	1	CABLE ASSY: TV AUDIO, IR

