

# TR 9700HR Treadmill

TR97-0100-02

## Parts Manual

1/5/2019 17:49:03 PM

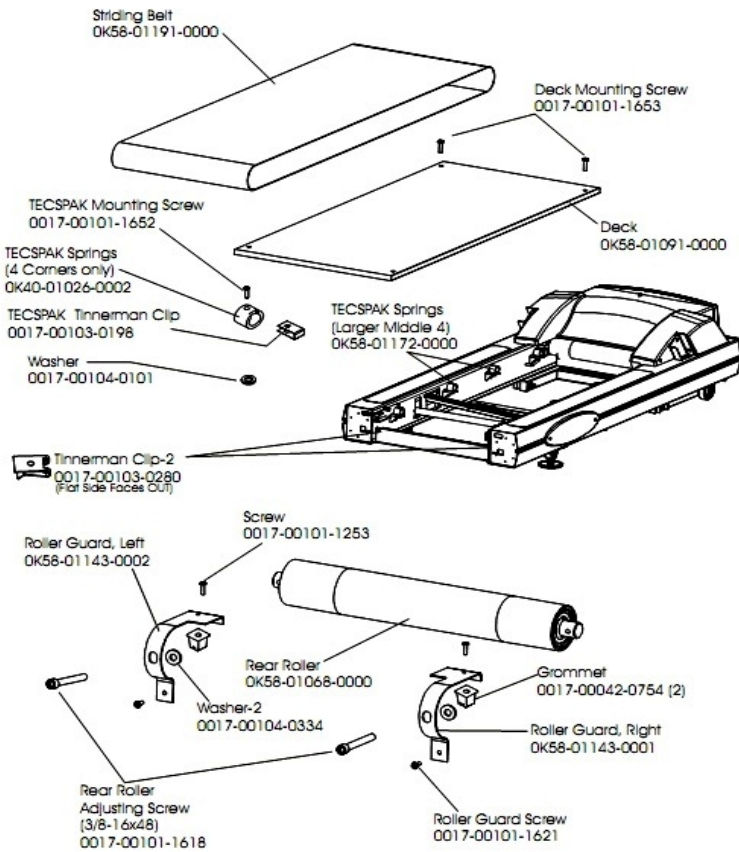


**Table of Contents**

---

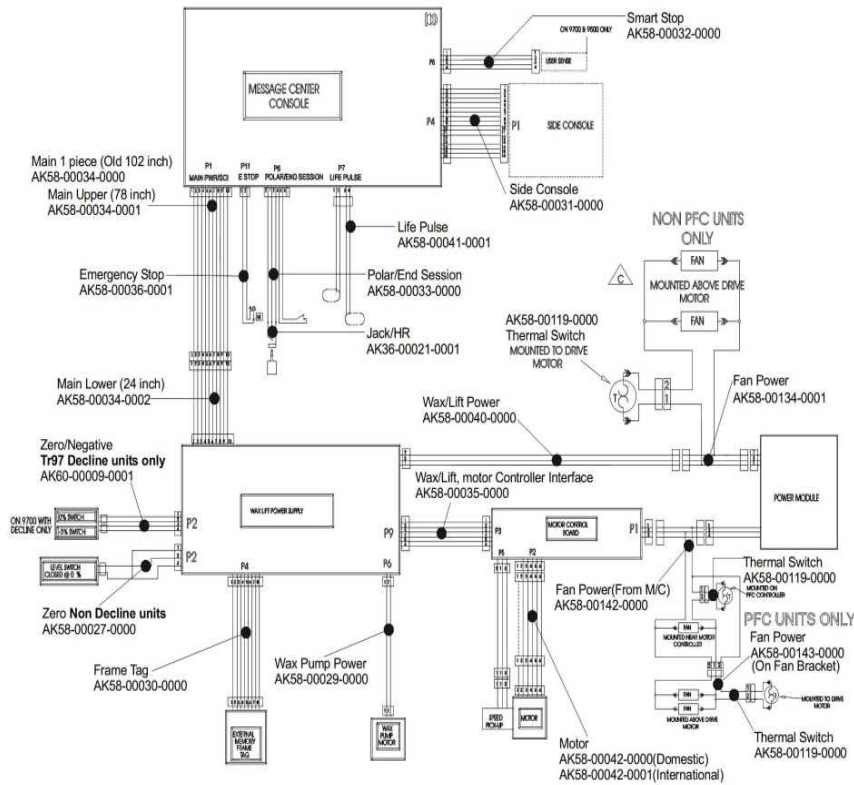
<a href="#">Belt, Deck and Rear Rollers</a> .....	3
<a href="#">Cables</a> .....	4
<a href="#">Console (External View)</a> .....	5
<a href="#">Console (Internal View)</a> .....	6
<a href="#">Cover, End Caps and Hardware</a> .....	7
<a href="#">Decline Lever Assembly</a> .....	8
<a href="#">Frame Assembly</a> .....	9
<a href="#">Front Roller Assembly</a> .....	10
<a href="#">General Assembly</a> .....	11
<a href="#">Handle Bar Assembly</a> .....	13
<a href="#">Idler Arm Assembly</a> .....	14
<a href="#">Lift Motor and Lift Frame</a> .....	15
<a href="#">Motor and Fan Assemblies</a> .....	17
<a href="#">Motor Controller with PFC</a> .....	18
<a href="#">Power Box Assembly</a> .....	19
<a href="#">Waxing Components</a> .....	20

## Belt, Deck and Rear Rollers



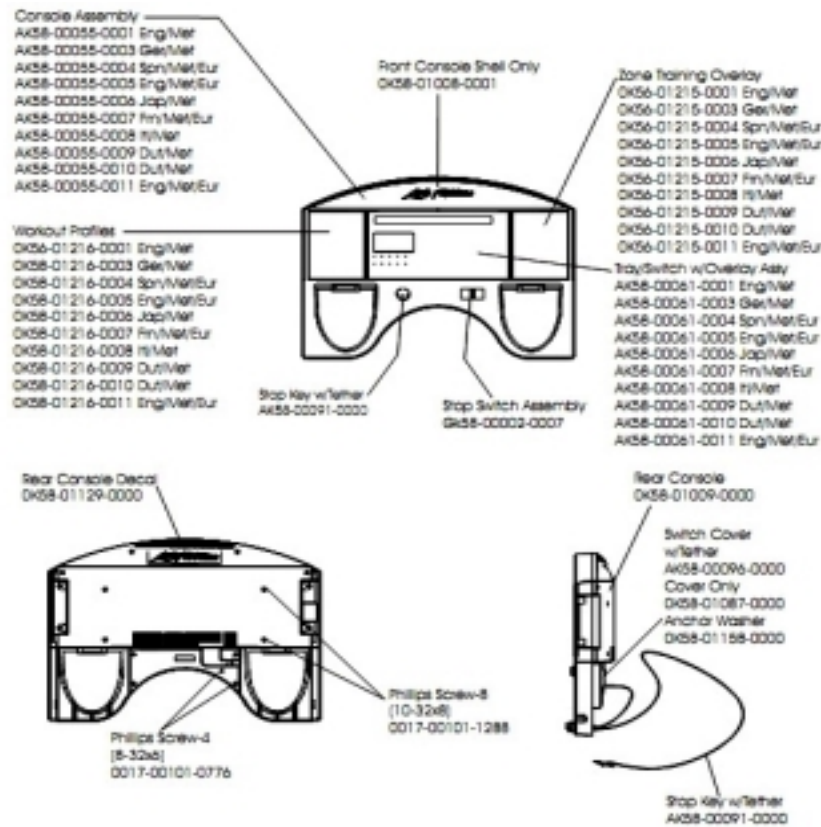
Ref #	Part Number	Qty	Description
-	0017-00103-0198	1	Hardware: Tinnerman Clip 1/4" ID
-	GK58-00002-0096	2	Roller Guard kit
-	0017-00101-1775	1	Hardware: Deck Screws 1.25"
-	0K40-01026-0002	1	Deck Spring
-	0K58-01191-0000	1	Striding Belt
-	0K58-01172-0000	1	TECSPAK Spring
-	0017-00101-1621	2	Hardware: Phillips Screw 0.5"
-	0017-00104-0101	1	Hardware: Flat Washer 0.437" OD
-	0K58-01068-0000	1	Rear Roller - 5"
-	0K58-01091-0001	1	Deck
-	0017-00042-0754	2	Hardware: Grommet
-	0017-00101-1652	1	Hardware: Spring Mounting Screw 1"
-	0017-00104-0334	2	Hardware: Flat Washers 0.880" OD
-	0017-00101-1618	1	Hardware: Rear Roller Adjusting Screw
-	0017-00103-0280	2	Hardware: Tinnerman Clip
-	0017-00101-1253	1	Hardware: Screw

### Cables



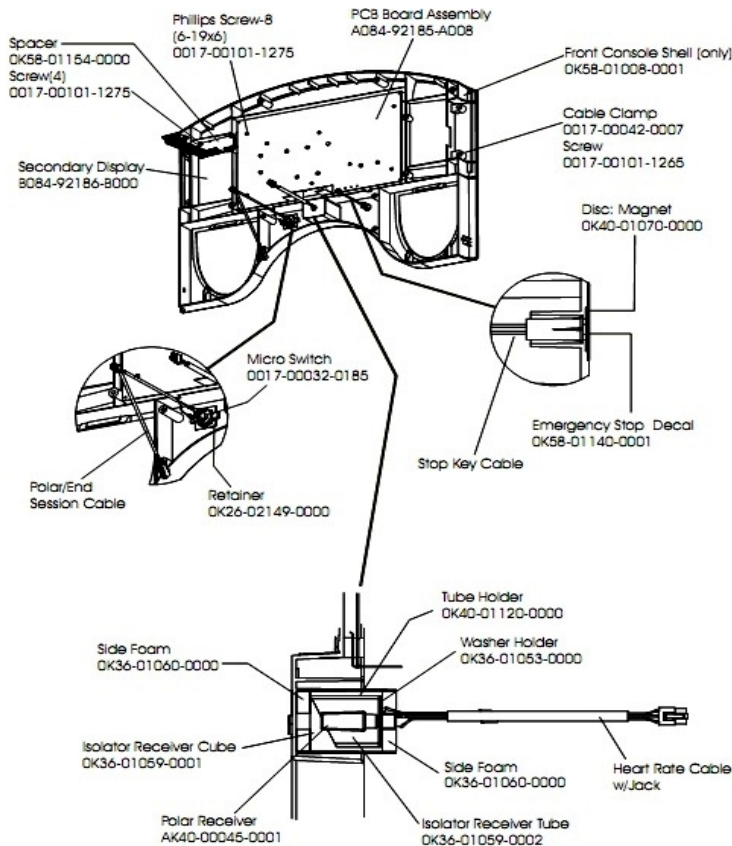
Ref #	Part Number	Qty	Description
-	AK58-00030-0000	1	Frame Tag Cable
-	AK58-00033-0000	1	Polar Cable
-	AK58-00042-0000	1	Motor (Domestic)
-	AK58-00134-0001	1	Cable: Fan Power
-	AK60-00009-0001	1	Negative Switch Cable Assembly
-	AK58-00031-0000	1	Side Console Cable Assembly
-	AK58-00034-0000	1	Console Cable
-	AK58-00040-0000	1	Wax/Lift Power
-	AK58-00041-0001	1	Heart Rate Sensor Cable
-	AK58-00035-0000	1	Motor Controller Interface Cable
-	AK58-00027-0000	1	Limit Switch Cable
-	AK58-00029-0000	1	Wax Pump Cable
-	AK58-00034-0002	1	Console Cable
-	AK58-00036-0000	1	Cable-Assembly: Emergency-Stop Switch
-	AK58-00143-0000	1	Cable: Fan Power
-	AK58-00032-0000	1	User Proximity Sensor Cable
-	AK58-00142-0000	1	Cable: Fan Power
-	AK36-00021-0001	1	Cable Assembly - Jack/HR
-	AK58-00119-0000	3	Thermal Switch
-	AK58-00034-0001	1	Console Power Cable

# Console (External View)



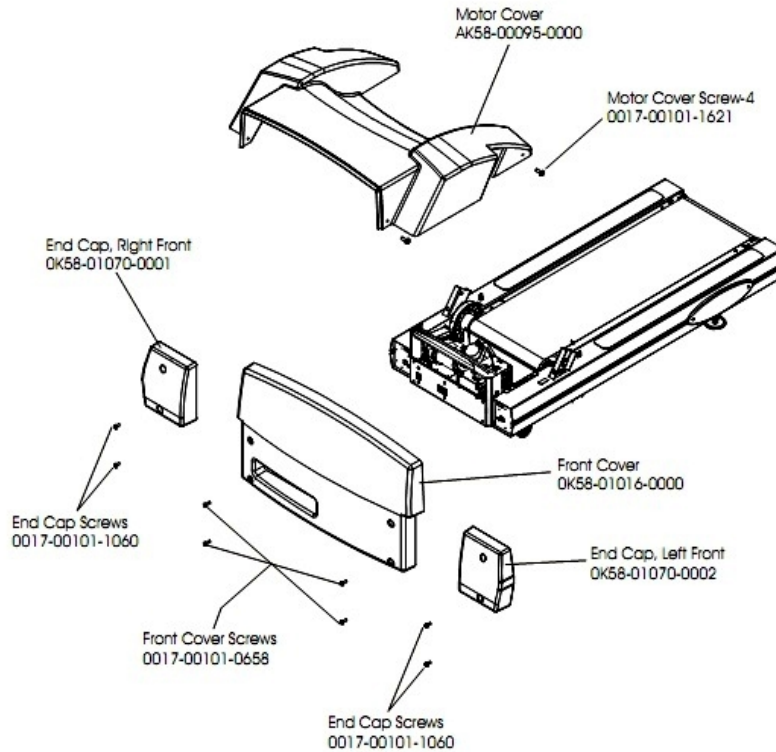
Ref #	Part Number	Qty	Description
-	OK58-01129-0000	1	Rear Console Decal
-	OK58-01009-0000	1	Rear Console
-	OK58-01216-0001	1	Workout Profiles English/Metric
-	AK58-00158-0001	1	Tray/Switch with Overlay Assembly:Mfg; English.D
-	AK58-00091-0000	2	Stop Key with Tether
-	GK58-00002-0007	1	Stop Switch Assembly
-	0017-00101-0776	4	Hardware: Mounting Screws
-	OK58-01158-0000	1	Anchor Washer
-	OK58-01087-0000	1	Switch Cover
-	AK58-00055-0001	1	Console Assembly English/Metric
-	AK58-00096-0000	1	Switch Cover with Tether
-	OK58-01008-0001	1	Front Console Shell (only)
-	0017-00101-1288	8	Hardware: Phillips Screw 0.5"
-	OK58-01215-0001	1	Zone Training Overlay English/Metric

# Console (Internal View)



Ref #	Part Number	Qty	Description
-	0017-00101-1781	1	Hardware: Phillips Pan Screw 0.5"
-	B084-92186-B000	1	Secondary Display
-	0K58-01154-0000	1	Spacer
-	0K26-02149-0000	1	Retainer
-	0017-00032-0185	1	Micro Switch 150GR
-	0017-00042-0007	1	Cable Clamp
-	0K40-01070-0000	1	Magnetic Disk
-	0K58-01140-0001	1	Emergency Stop Decal
-	0K36-01053-0000	1	Hardware: Washer
-	SK40-00045-0001	1	Polar HR Kit
-	0K36-01059-0002	1	Insulator Receiver Tube
-	0K36-01059-0001	1	Isolator Receiver Cube
-	A084-92185-A008	1	PCB Assembly
-	0K58-01008-0001	1	Front Console Shell (only)
-	0K40-01120-0000	1	Tube Holder
-	0017-00101-1275	12	Hardware: Phillips Screw 0.375"
-	0K36-01060-0000	2	Side Foam

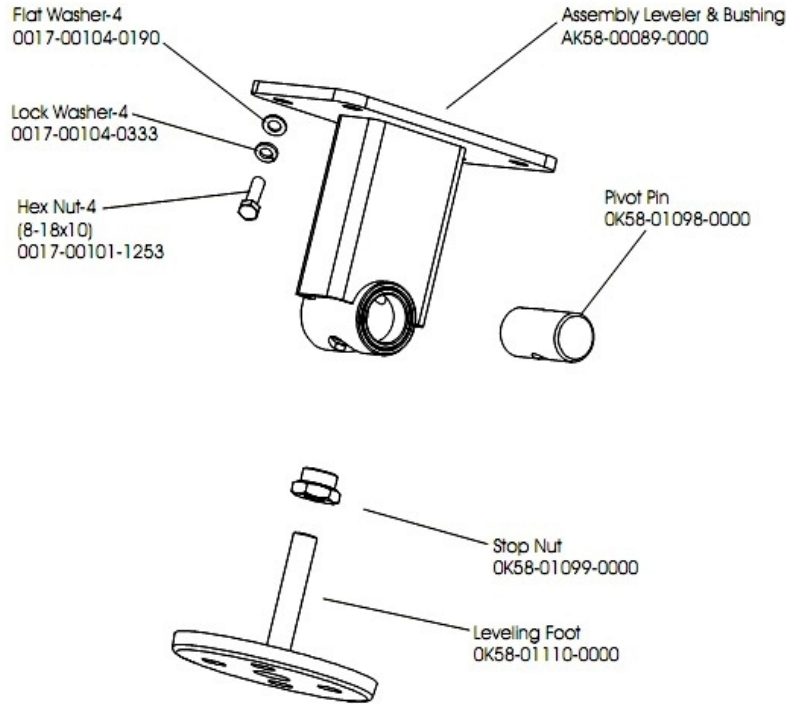
## Cover, End Caps and Hardware



Ref #	Part Number	Qty	Description
-	OK58-01016-0000	1	Front Cover
-	OK58-01070-0002	1	End Cap
-	0017-00101-1060	2	Hardware: Bracket Screw
-	0017-00101-0658	1	Hardware: Access Panel Screws
-	OK58-01070-0001	1	End Cap
-	0017-00101-1621	2	Hardware: Phillips Screw 0.5"
-	AK58-00095-0000	1	Motor Cover

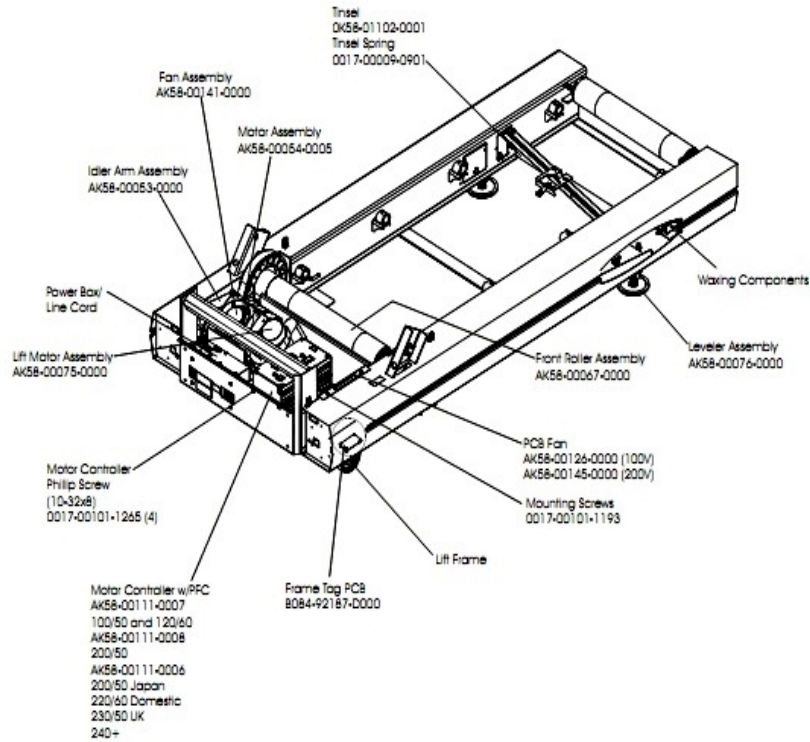
# Decline Lever Assembly

**Decline Lever Assy AK58-00076-0000**



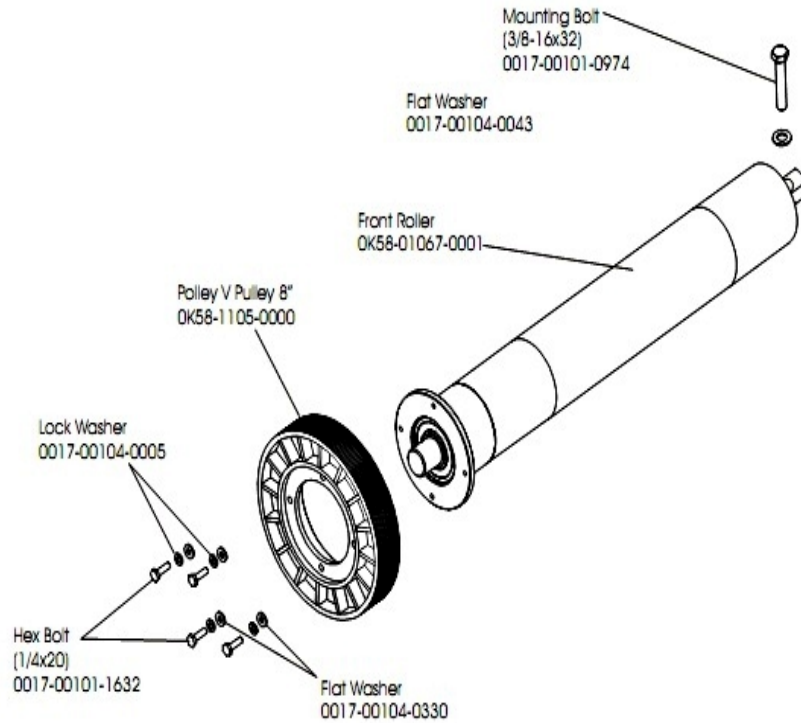
Ref #	Part Number	Qty	Description
-	0017-00101-1253	4	Hardware: Screw
-	OK58-01110-0000	1	Leveler Foot
-	OK58-01099-0000	1	Hardware: Stop Nut
-	AK58-00089-0000	1	Bracket Leveler
-	AK58-00464-0000	1	Leveler Assembly
-	0017-00104-0190	4	Hardware: Flat Washer 0.734" OD
-	0017-00104-0333	4	Hardware: Washer 0.683" OD
-	OK58-01098-0000	1	Hardware: Pivot Pin

# Frame Assembly



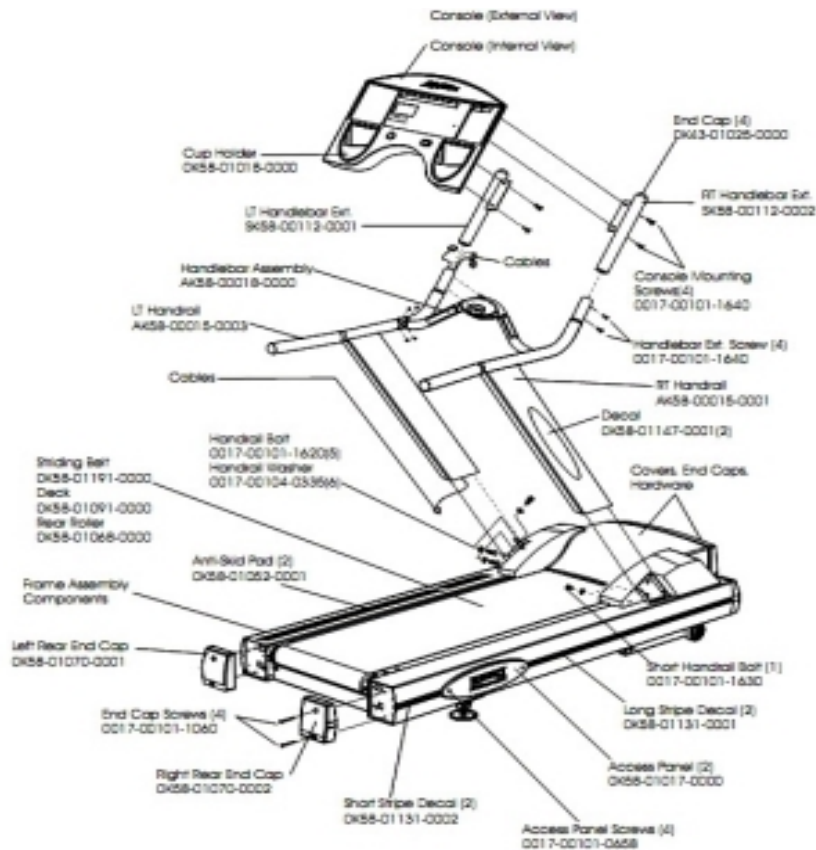
Ref #	Part Number	Qty	Description
-	AK58-00053-0000	1	Idler Arm Assembly
-	0017-00009-0901	1	Tinsel Extension Spring
-	AK58-00464-0000	1	Leveler Assembly
-	AK58-00075-0000	1	Lift Motor Bracket Assembly
-	B084-92187-D000	1	Frame Tag PCB
-	AK58-00141-0000	1	Dual Fan Assembly
-	0K58-01102-0001	1	Anti-Static Tinsel
-	AK58-00067-0000	1	Front Roller Assembly
-	AK58-00072-0002	1	Assembly: Drive Motor with Grounding Ring; Dual-Lo
-	AK58-00147-0001	1	Motor Controller Assembly: Purchased; 120V D
-	0017-00101-1193	1	Hardware: Screw 0.375"
-	0017-00101-1781	4	Hardware: Phillips Pan Screw 0.5"
-	AK58-00126-0000	1	Fan Assembly (100v)

## Front Roller Assembly



Ref #	Part Number	Qty	Description
-	OK58-01067-0001	1	Front Roller - 5"
-	OK58-1105-0000	1	Drive Pulley Poly V - 8"
-	0017-00101-1632	4	Hardware: Hex Bolt 0.875"
-	0017-00104-0330	4	Hardware: Flat Washers 0.562" OD
-	0017-00104-0005	4	Hardware: Lock Washer 0.489" OD
-	0017-00104-0043	1	Hardware: Flat Washer 0.734" OD
-	0017-00101-0974	1	Hardware: Mounting Bolt 2"

# General Assembly

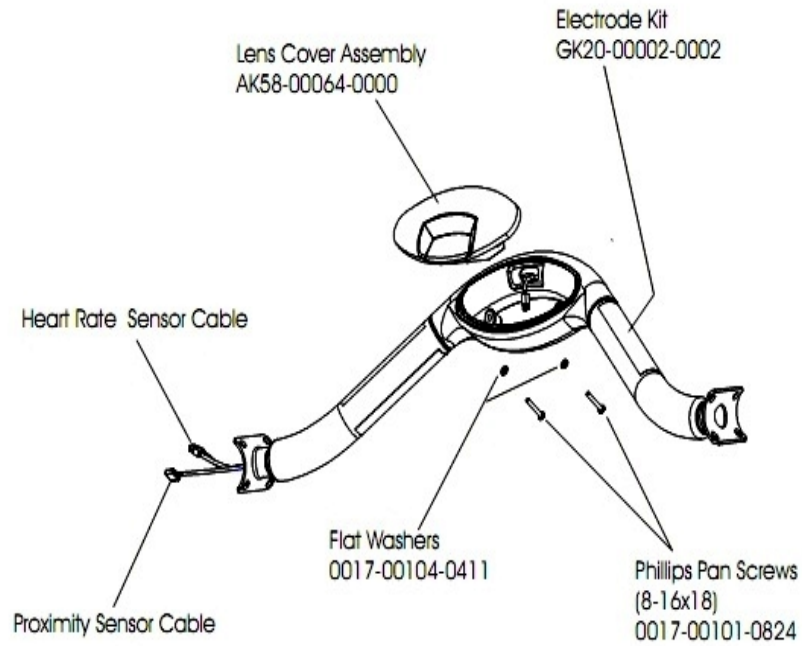


Ref #	Part Number	Qty	Description
-	AK58-00015-0001	1	Handrail - Right
-	AK58-00015-0003	1	Handrail - Left
-	OK58-01070-0002	1	End Cap
-	OK58-01131-0004	2	Short Stripe Decal
-	SK58-00112-0002	1	Left Handlebar Extension
-	SK58-00112-0001	1	Left Handlebar Extension
-	OK58-01191-0000	1	Striding Belt
-	OK58-01052-0001	2	Anti-Skid Pad
-	OK58-01147-0001	2	Decal
-	OK58-01131-0003	2	Long Stripe Decal
-	0017-00101-1640	8	Hardware: Console Mounting Screws
-	0017-00101-0658	4	Hardware: Access Panel Screws
-	0017-00101-1778	1	Hardware: Hex Bolt 1"
-	OK58-01091-0001	1	Deck
-	OK58-01068-0000	1	Rear Roller - 5"
-	0017-00101-1620	5	Hardware: Handrail Bolt
-	OK43-01025-0000	4	End Cap
-	0017-00101-1060	4	Hardware: Bracket Screw
-	0017-00104-0335	6	Hardware: Handrail Washer
-	AK58-00018-0000	1	Ergo Bar Assembly
-	OK58-01018-0000	1	Cup Holder
-	OK58-01070-0001	1	End Cap

Ref #	Part Number	Qty	Description
-	0K58-01017-0000	2	Access Panel

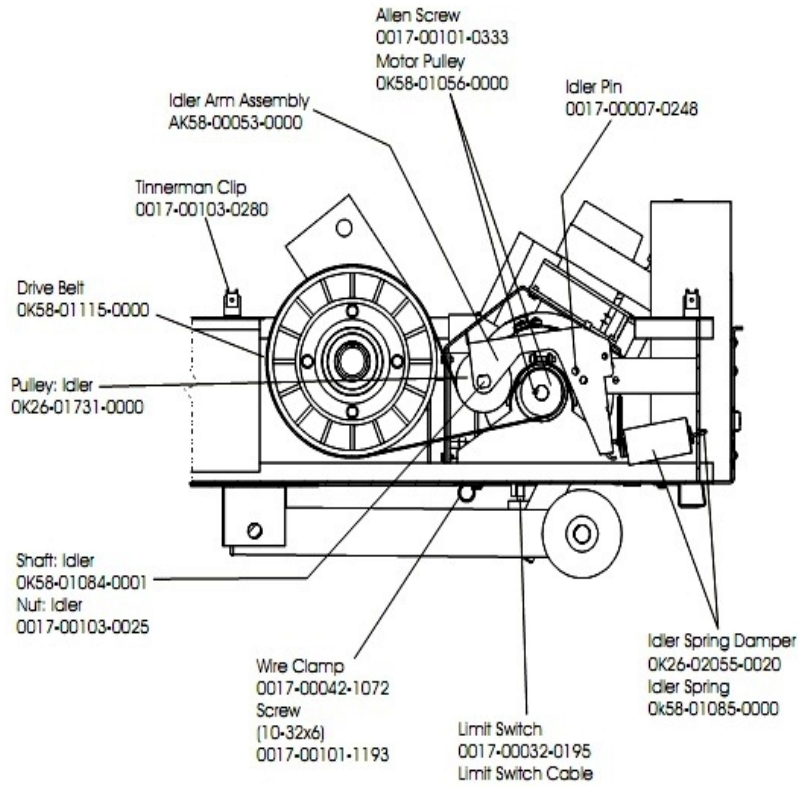
# Handle Bar Assembly

**Handle Bar Assy AK58-00018-0000**



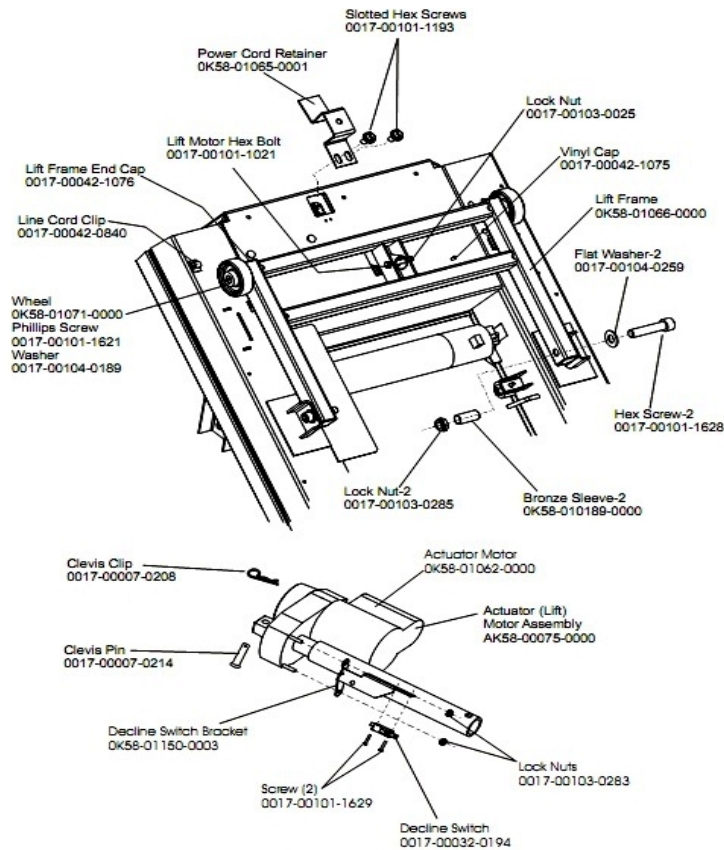
Ref #	Part Number	Qty	Description
-	AK58-00064-0000	1	I/R Lens Cover Assembly
-	GK20-00002-0002	1	Heart Rate Electrode Kit
-	0017-00104-0411	1	Hardware: Flat Washer 0.375" OD
-	AK58-00018-0000	1	Ergo Bar Assembly
-	0017-00101-0824	1	Hardware: Screw 1.125"

# Idler Arm Assembly



Ref #	Part Number	Qty	Description
-	GK58-00002-0129	1	KIT: TREADMILL BELT AND PULLEY
-	OK26-01731-0000	1	Plastic Idler 2 5/8" OD
-	OK26-02055-0000	1	Spring Damper
-	OK58-01084-0001	1	Idler Shaft
-	0017-00032-0195	1	Home Switch
-	0017-00042-1072	1	Hardware: Wire Clamp - 5/8"
-	AK58-00053-0000	1	Idler Arm Assembly
-	0017-00101-1193	1	Hardware: Screw 0.375"
-	0017-00103-0280	1	Hardware: Tinnerman Clip
-	OK58-01085-0000	1	Extension Spring
-	0017-00101-0333	1	Hardware: Screw 0.3125"
-	0017-00103-0025	1	Hardware: Locking Nut 3/8" ID
-	OK58-01056-0000	1	Motor Pulley
-	0017-00007-0248	1	Hardware: Locking Pin .31" D 2.125" L

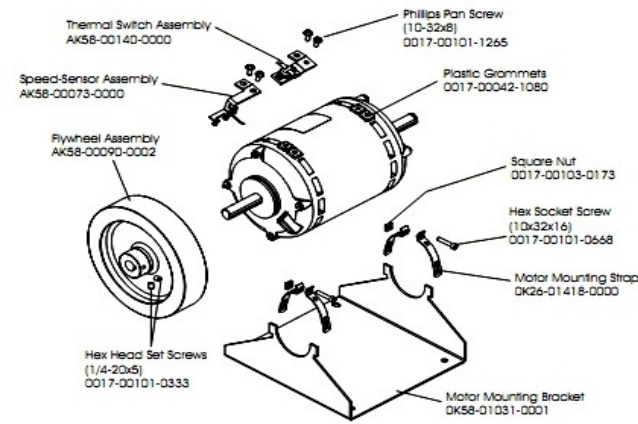
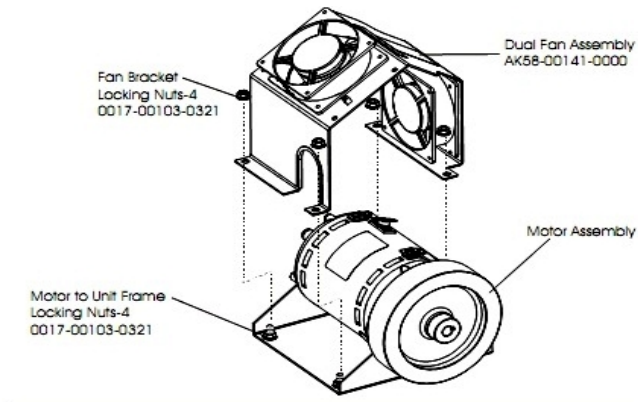
# Lift Motor and Lift Frame



Ref #	Part Number	Qty	Description
-	0017-00007-0214	2	Hardware: Clevis Pin 3/8" D 1.75" L
-	0K58-01065-0001	1	Power Cord Retainer
-	0K58-01071-0000	2	Wheel
-	0017-00042-0840	1	Hardware: Push Mount Clip
-	0K58-01089-0000	2	Bronze Sleeve Bushings
-	AK58-00075-0000	1	Lift Motor Bracket Assembly
-	0K58-01062-0000	1	Lift Motor - 120/60
-	AK58-00220-0000	1	LIFT-FRAME ASSY: MFG. C
-	0017-00042-1076	4	Lift Frame End Cap
-	0017-00103-0285	2	Hardware: Nut 5/8" ID
-	0017-00007-0208	2	Hardware: Cotter Pin
-	0017-00101-1621	2	Hardware: Phillips Screw 0.5"
-	0017-00101-1629	2	Hardware: Phillips Pan Screw 0.625"
-	0017-00104-0189	2	Hardware: Flat Washer 1" OD
-	0K58-01150-0003	1	Decline Switch Bracket
-	0017-00101-1193	1	Hardware: Screw 0.375"
-	0017-00103-0283	1	Hardware: Locking Nut ID
-	0017-00032-0194	1	Mini Switch; SPDT
-	0017-00101-1021	1	Hardware: Lift Motor Hex Bolt 2.5"
-	0017-00101-1628	2	Hardware: Hex Screw
-	0017-00103-0025	1	Hardware: Locking Nut 3/8" ID
-	0017-00104-0259	2	Hardware: Washer 1.331" OD

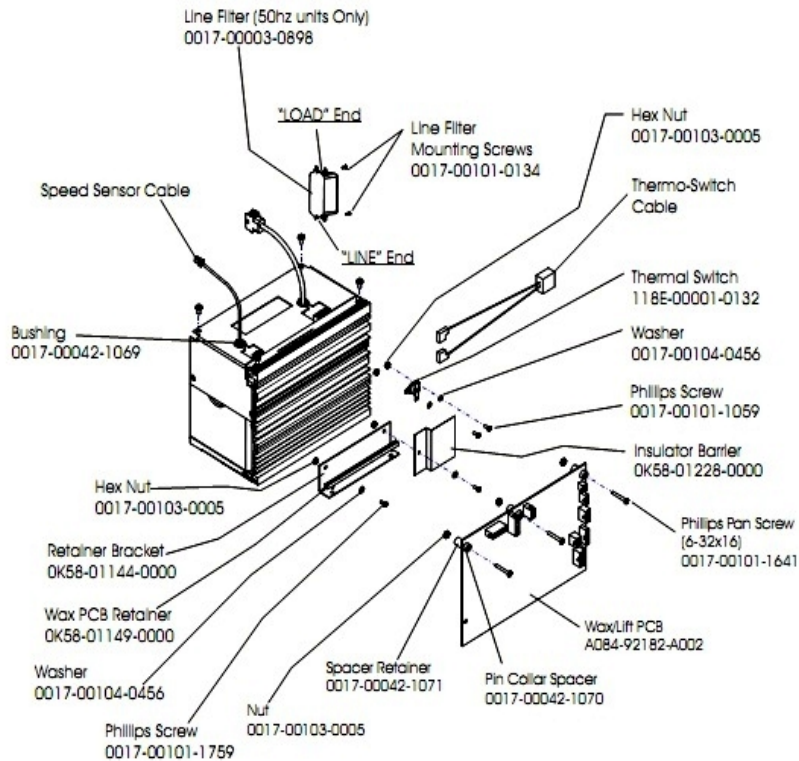
<b>Ref #</b>	<b>Part Number</b>	<b>Qty</b>	<b>Description</b>
-	0017-00042-1075	1	Vinyl Cap

# Motor and Fan Assemblies



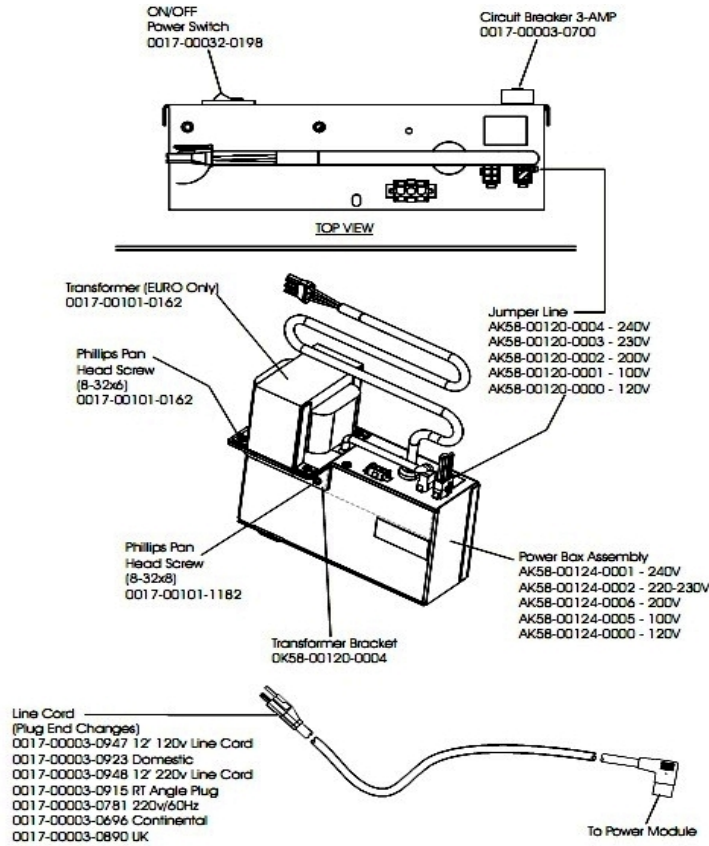
Ref #	Part Number	Qty	Description
-	0017-00042-1080	1	Plastic Grommets
-	AK58-00140-0000	1	Thermal Switch Assembly
-	0017-00103-0173	1	Hardware: Square Nut
-	0K58-01031-0001	1	Motor Mounting Bracket
-	AK58-00141-0000	1	Dual Fan Assembly
-	0017-00101-0333	1	Hardware: Screw 0.3125"
-	0017-00101-0668	1	Hardware: Hex Socket Screw
-	0017-00101-1781	1	Hardware: Phillips Pan Screw 0.5"
-	0017-00103-0321	8	Hardware: Locking Nut
-	0K26-01418-0000	1	Motor Mounting Strap
-	AK58-00090-0002	1	Flywheel Assembly
-	AK58-00073-0000	1	Speed Sensor Assembly

# Motor Controller with PFC



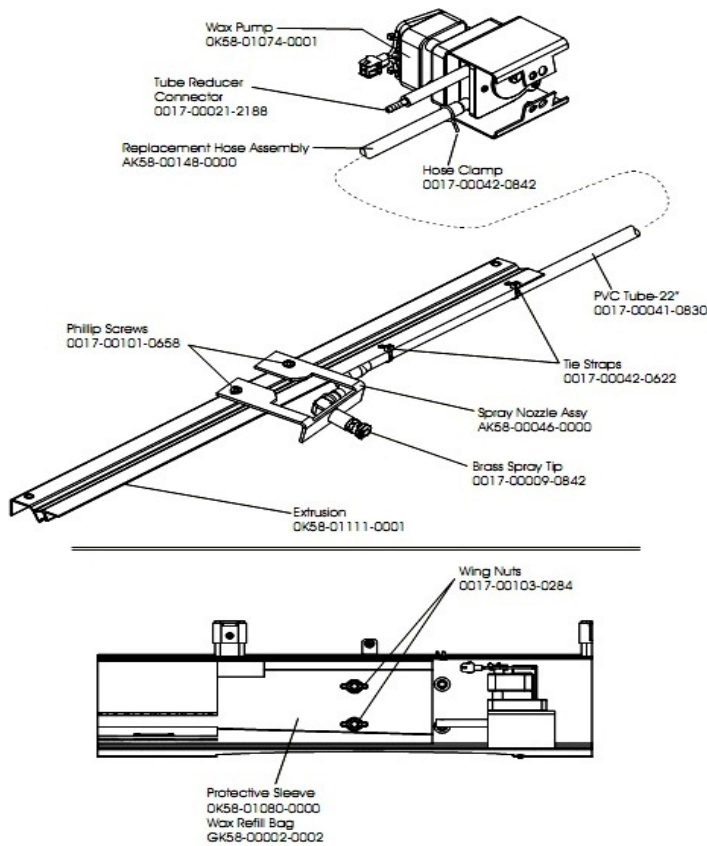
Ref #	Part Number	Qty	Description
-	0017-00042-1071	4	Spacer Retainer
-	0017-00101-1641	4	Hardware: Phillips Pan Screw
-	0017-00042-1070	1	Pin Collar Spacer
-	OK58-01228-0000	1	Insulator Barrier
-	OK58-01149-0000	1	Wax PCB Retainer
-	0017-00101-1059	4	Hardware: Phillips Screw
-	0017-00101-0134	1	Hardware: Line Filter Mounting Screws
-	A084-92182-A002	1	Wax/Lift PCB
-	118E-00001-0132	1	Thermal Switch
-	0017-00042-1069	1	Bushing
-	0017-00104-0456	8	Hardware: Washer 0.31" OD
-	0017-00103-0005	12	Hardware: Hex Nut
-	OK58-01144-0000	1	Retainer Bracket
-	0017-00101-1759	4	Hardware: Phillips Screw 0.625"

# Power Box Assembly



Ref #	Part Number	Qty	Description
-	0017-00101-0162	1	Hardware: Screw 0.375"
-	AK58-00124-0000	1	Power Box Assembly 120V
-	AK58-00124-0005	1	Power Box Assembly 100V
-	0017-00003-0974	1	Line Cord: 120V: 8'
-	AK58-00120-0001	1	Jumper Line 100V
-	0017-00003-0700	1	3 AMP Circuit Breaker
-	0017-00003-0915	1	Line Cord RT Angle Plug
-	0K58-01314-0000	1	Transformer Bracket
-	AK58-00120-0000	1	Jumper Line 120V
-	0017-00003-0947	1	Line Cord: 120V; 20A; 12'
-	0017-00101-1182	1	Hardware: Phillips Pan Head Screw
-	0017-00003-0781	1	Line Cord: US High Voltage
-	0017-00032-0198	1	On/Off Switch 22A

# Waxing Components



Ref #	Part Number	Qty	Description
-	OK58-01111-0001	1	Extrusion Assembly
-	AK58-00046-0000	1	Spray Nozzle Assembly
-	0017-00009-0842	1	Brass Spray Tip
-	0017-00041-0830	1	TUBING: PVC; REINFORCED B
-	AK58-00148-0000	1	Replacement Hose
-	OK58-01074-0001	1	Wax Pump
-	OK58-01080-0000	1	Protective Sleeve
-	0017-00042-0622	2	Cable Tie
-	0017-00042-0842	1	Hose Clamp
-	0017-00101-0658	1	Hardware: Access Panel Screws
-	0017-00103-0284	2	Hardware: Wing Nut
-	GK58-00002-0002	1	Wax Refill Bag
-	0017-00021-2188	1	Tube Reducer Connector

